

TEST REPORT

CERTIFICATE OF CONFORMITY

Standard: EN 55032: 2015+A11:2020, Class A
BS EN 55032: 2015+A11:2020, Class A
EN 61000-3-2: 2014, Class A
EN IEC 61000-3-2: 2019+A1:2021, Class A
BS EN IEC 61000-3-2: 2019+A1:2021, Class A
EN 61000-3-3: 2013+A1:2019+A2:2021
BS EN 61000-3-3: 2013+A1:2019+A2:2021
EN 55035: 2017+A11:2020
BS EN 55035: 2017+A11:2020

Report No.: CEBDBO-WTW-P23070172

Product: Compact Embedded Computing System

Brand: Vecow

Model No.: VCM-1100F

Series Model: VCM-1000, VCM-1XXXXXXXXXXXXXXXXX
("X" can be 0-9, A-Z or blank for marketing purpose)

Received Date: 2023/7/10

Test Date: 2023/7/12 ~ 2023/7/31

Issued Date: 2023/8/10

Applicant: Vecow Co., Ltd.

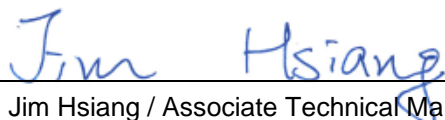
Address: 3F., No. 10, Jiankang Rd., Zhonghe Dist., New Taipei City 23586, Taiwan

Issued By: Bureau Veritas Consumer Products Services (H.K.) Ltd., Taoyuan Branch
Lin Kou Laboratories

Lab Address: No. 47-2, 14th Ling, Chia Pau Vil., Lin Kou Dist., New Taipei City, Taiwan

Test Location: No. 47-2, 14th Ling, Chia Pau Vil., Lin Kou Dist., New Taipei City, Taiwan

Approved by:


Jim Hsiang / Associate Technical Manager

Date:

2023/8/10

This test report consists of 90 pages in total. It may be duplicated completely for legal use with the approval of the applicant. It should not be reproduced except in full, without the written approval of our laboratory. The test results in the report only apply to the tested sample. The test results in this report are traceable to the national or international standards.



Prepared by : Celia Chen / Supervisor

This report is governed by, and incorporates by reference, the Conditions of Testing as posted at the date of issuance of this report at <http://www.bureauveritas.com/home/about-us/our-business/cps/about-us/terms-conditions/>, and is intended for your exclusive use. Any copying or replication of this report to or for any other person or entity, or use of our name or trademark, is permitted only with our prior written permission. This report sets forth our findings solely with respect to the test samples identified herein. The results set forth in this report are not indicative or representative of the quality or characteristics of the lot from which a test sample was taken or any similar or identical product unless specifically and expressly noted. Our report includes all of the tests requested by you and the results thereof based upon the information that you provided to us. Measurement uncertainty is only provided upon request for accredited tests. Statements of conformity are based on simple acceptance criteria without taking measurement uncertainty into account, unless otherwise requested in writing. You have 60 days from date of issuance of this report to notify us of any material error or omission caused by our negligence or if you require measurement uncertainty; provided, however, that such notice shall be in writing and shall specifically address the issue you wish to raise. A failure to raise such issue within the prescribed time shall constitute your unqualified acceptance of the completeness of this report, the tests conducted and the correctness of the report contents.

Table of Contents

Release Control Record	4
1 Certificate.....	5
2 Summary of Test Results	6
2.1 Performance Criteria	7
2.2 Measurement Uncertainty	10
2.3 Supplementary Information	10
3 General Information	11
3.1 Description of EUT	11
3.2 Primary Clock Frequencies of Internal Source.....	11
3.3 Features of EUT	11
3.4 Operating Modes of EUT and Determination of Worst Case Operating Mode	12
3.5 Test Program Used and Operation Descriptions	14
3.6 Connection Diagram of EUT and Peripheral Devices	15
3.7 Configuration of Peripheral Devices and Cable Connections	17
4 Test Instruments	19
4.1 Conducted Emissions from Power Ports	19
4.2 Conducted Emissions from Wired Network Ports	20
4.3 Radiated Emissions up to 1 GHz	21
4.4 Radiated Emissions above 1 GHz.....	22
4.5 Harmonic Current Measurement	22
4.6 Voltage Fluctuations and Flicker Measurement	23
4.7 Electrostatic Discharges (ESD)	23
4.8 Radio Frequency Electromagnetic Field (RS).....	24
4.9 Fast Transients Common Mode (EFT)	25
4.10 Surges	25
4.11 Radio Frequency Common Mode (CS).....	26
4.12 Power Frequency Magnetic Field (PFMF).....	27
4.13 Voltage Dips and Interruptions (DIP).....	27
5 Limits of Test Items.....	28
5.1 Conducted Emissions from Power Ports	28
5.2 Conducted Emissions from Wired Network Ports	28
5.3 Radiated Emissions up to 1 GHz	28
5.4 Radiated Emissions above 1 GHz.....	29
5.5 Harmonic Current Measurement	30
5.6 Voltage Fluctuations and Flicker Measurement	31
5.7 General immunity requirements	32
6 Test Arrangements.....	34
6.1 Conducted Emissions from Power Ports	34
6.2 Conducted Emissions from Wired Network Ports	35
6.3 Radiated Emissions up to 1 GHz	38
6.4 Radiated Emissions above 1 GHz.....	39
6.5 Harmonic Current Measurement	40
6.6 Voltage Fluctuations and Flicker Measurement	40
6.7 Electrostatic Discharges (ESD)	41
6.8 Radio Frequency Electromagnetic Field (RS).....	43
6.9 Fast Transients Common Mode (EFT)	44
6.10 Surges	45
6.11 Radio Frequency Common Mode (CS).....	47
6.12 Power Frequency Magnetic Field (PFMF).....	49
6.13 Voltage Dips and Interruptions (DIP).....	50
7 Test Results of Test Item	51
7.1 Conducted Emissions from Power Ports	51
7.2 Conducted Emissions from Wired Network Ports	55



7.3	Radiated Emissions up to 1 GHz	57
7.4	Radiated Emissions above 1 GHz.....	59
7.5	Harmonic Current Measurement	61
7.6	Voltage Fluctuations and Flicker Measurement	62
7.7	Electrostatic Discharges (ESD)	63
7.8	Radio Frequency Electromagnetic Field (RS).....	68
7.9	Fast Transients Common Mode (EFT)	69
7.10	Surges	70
7.11	Radio Frequency Common Mode (CS).....	71
7.12	Power Frequency Magnetic Field (PFMF).....	72
7.13	Voltage Dips and Interruptions (DIP).....	73
8	Pictures of Test Arrangements	74
8.1	Conducted Emissions from Power Ports	74
8.2	Conducted Emissions from Wired Network Ports	75
8.3	Radiated Emissions up to 1 GHz	77
8.4	Radiated Emissions above 1 GHz.....	78
8.5	Harmonic Current Measurement	79
8.6	Voltage Fluctuations and Flicker Measurement	80
8.7	Electrostatic Discharges (ESD)	81
8.8	Radio Frequency Electromagnetic Field (RS).....	82
8.9	Fast Transients Common Mode (EFT)	83
8.10	Surges	85
8.11	Radio Frequency Common Mode (CS).....	86
8.12	Power Frequency Magnetic Field (PFMF).....	88
8.13	Voltage Dips and Interruptions (DIP).....	89
9	Information of the Testing Laboratories	90



Release Control Record

Issue No.	Description	Date Issued
CEBDBO-WTW-P23070172	Original release.	2023/8/10

1 Certificate

Product: Compact Embedded Computing System

Brand: Vecow

Test Model: VCM-1100F

Series Model: VCM-1000, VCM-1XXXXXXXXXXXXXXXXX
("X" can be 0-9, A-Z or blank for marketing purpose)

Sample Status: Engineering sample

Applicant: Vecow Co., Ltd.

Test Date: 2023/7/12 ~ 2023/7/31

Standard: EN 55032: 2015+A11:2020, Class A
BS EN 55032: 2015+A11:2020, Class A
EN 61000-3-2: 2014, Class A
EN IEC 61000-3-2: 2019+A1:2021, Class A
BS EN IEC 61000-3-2: 2019+A1:2021, Class A
EN 61000-3-3: 2013+A1:2019+A2:2021
BS EN 61000-3-3: 2013+A1:2019+A2:2021
EN 55035: 2017+A11:2020
BS EN 55035: 2017+A11:2020

Measurement procedure: EN 61000-4-2: 2009 / IEC 61000-4-2: 2008 ED. 2.0
BS EN 61000-4-2: 2009
EN IEC 61000-4-3: 2020 / IEC 61000-4-3: 2020 ED. 4.0
BS EN IEC 61000-4-3: 2020
EN 61000-4-4: 2012 / IEC 61000-4-4: 2012 ED. 3.0
BS EN 61000-4-4: 2012
EN 61000-4-5: 2014+A1:2017 / IEC 61000-4-5: 2017 ED. 3.1
BS EN 61000-4-5: 2014+A1:2017
EN 61000-4-6: 2014+AC:2015 / IEC 61000-4-6: 2013 ED. 4.0
BS EN 61000-4-6: 2014
EN 61000-4-8: 2010 / IEC 61000-4-8: 2009 ED. 2.0
BS EN 61000-4-8: 2010
EN IEC 61000-4-11: 2020+AC:2020 / IEC 61000-4-11: 2020 ED. 3.0
BS EN IEC 61000-4-11: 2020+AC:2020

The above equipment has been tested by **Bureau Veritas Consumer Products Services (H.K.) Ltd., Taoyuan Branch**, and found compliance with the requirement of the above standards. The test record, data evaluation & Equipment Under Test (EUT) configurations represented herein are true and accurate accounts of the measurements of the sample's EMC characteristics under the conditions specified in this report.

2 Summary of Test Results

The test items that the EUT need to perform in accordance with its interfaces, evaluated functions, are as follows:

Standard	Test Item	Result	Remark
EN 55032	Conducted Emissions from Power Ports	Pass	Minimum passing Class A margin is -20.20 dB at 16.53745 MHz
EN 55032	Conducted Emissions from Wired Network Ports	Pass	Minimum passing Class A margin is -4.72 dB at 4.14761 MHz
EN 55032	Radiated Emissions up to 1 GHz	Pass	Minimum passing Class A margin is -0.96 dB at 616.01 MHz
EN 55032	Radiated Emissions above 1 GHz	Pass	Minimum passing Class A margin is -7.25 dB at 2617.70 MHz
EN 61000-3-2 EN IEC 61000-3-2	Harmonic Current Measurement	Pass	Meets Class A Limit
EN 61000-3-3	Voltage Fluctuations and Flicker Measurement	Pass	$P_{st} \leq 1.00$ $d_{max} \leq 4.00\%$ $P_{lt} \leq 0.65$ $d_c \leq 3.30\%$ $T_{max} \leq 500$ ms
IEC 61000-4-2	Electrostatic Discharges (ESD)	Pass	For EN 55035 Performance Criteria A
IEC 61000-4-3	Radio Frequency Electromagnetic Field (RS)	Pass	For EN 55035 Performance Criteria A
IEC 61000-4-4	Fast Transients Common Mode (EFT)	Pass	For EN 55035 Performance Criteria A
IEC 61000-4-5	Surges	Pass	For EN 55035 Performance Criteria A
IEC 61000-4-6	Radio Frequency Common Mode (CS)	Pass	For EN 55035 Performance Criteria A
IEC 61000-4-8	Power Frequency Magnetic Field (PFMF)	Pass	For EN 55035 Performance Criteria A
IEC 61000-4-11	Voltage Dips and Interruptions (DIP)	Pass	For EN 55035 For Voltage Dips: <5% Residual, 0.5 cycle Performance Criteria A 70% Residual, 25 cycle Performance Criteria A For Voltage Interruptions: <5% Residual, 250 cycle Performance Criteria C

Note: Determining compliance based on the results of the compliance measurement, not taking into account measurement instrumentation uncertainty.

2.1 Performance Criteria

For EN 55035

General Performance Criteria

These criteria shall be used during the testing of primary functions where no specified in the normative annexes of EN 55035 is applicable.

Performance criterion A

The equipment shall continue to operate as intended without operator intervention. No degradation of performance, loss of function or change of operating state is allowed below a performance level specified by the manufacturer when the equipment is used as intended. The performance level may be replaced by a permissible loss of performance. If the minimum performance level or the permissible performance loss is not specified by the manufacturer, then either of these may be derived from the product description and documentation, and by what the user may reasonably expect from the equipment if used as intended.

Performance criterion B

During the application of the disturbance, degradation of performance is allowed. However, no unintended change of actual operating state or stored data is allowed to persist after the test.

After the test, the equipment shall continue to operate as intended without operator intervention; no degradation of performance or loss of function is allowed, below a performance level specified by the manufacturer, when the equipment is used as intended. The performance level may be replaced by a permissible loss of performance.

If the minimum performance level (or the permissible performance loss), or recovery time, is not specified by the manufacturer, then either of these may be derived from the product description and documentation, and by what the user may reasonably expect from the equipment if used as intended.

Performance criterion C

Loss of function is allowed, provided the function is self-recoverable, or can be restored by the operation of the controls by the user in accordance with the manufacturer's instructions. A reboot or re-start operation is allowed.

Information stored in non-volatile memory, or protected by a battery backup, shall not be lost.

Product Specific Performance criteria for Audio output functions

Performance criterion A

Table – Performance criterion A – Limits for devices supporting telephony

Type of immunity test	Frequency range MHz	Acoustic or electrical interference ratio	Equivalent direct measurement		
			dB(SPL)	Digital dBm0	Analogue dBm
Conducted	0.15 to 30	-20 dB	55	-50	-50
	30 to 80	-10 dB	65	-40	-40
Radiated	80 to 1 000	0 dB	75	-30	-30

The acoustic level of the demodulated audio shall be less than the limits in column 4.

For all other Audio output devices:

The measured acoustic interference ratio and/or the measured electrical interference ratio during the test shall be -20 dB or better.

Performance criterion B

Use the general performance criterion B.

Performance criterion C

Use the general performance criterion C.

Product Specific Performance criteria for network functions

Equipment that provides these functions transmits and receives data through ports such as an analogue/digital data port. The networking functions are just like network switching and routing ; data transmission ; supervisory...etc.

The particular performance criteria which are specified in the normative annexes of CISPR 35/ EN 55035 take precedence over the corresponding parts of the general performance criteria.

Performance criterion A

Where relevant, during the application of the test the network function shall, as a minimum, operate ensuring that:

- established connections shall be maintained throughout the application of the test;
- no change of operational state or corruption of stored data occurs;
- no increase in error rate above the figure defined by the manufacturer occurs. The manufacturer should select the most appropriate performance measurement criteria for the product or system, for example bit error rate, block error rate;
- no request for retry above the figure defined by the manufacturer;
- the data transmission rate does not reduce below the figure defined by the manufacturer;
- no protocol failure occurs;
- other verifications are described in F.3.3.1 of CISPR 35/ EN 55035.

Performance criterion B

Established connections shall be maintained throughout the test, or shall self-recover in a way and timescale that is imperceptible to the user.

The error rate, request for retry and data transmission rates may be degraded during the application of the test. Degradation of the performance as described in criterion A is permitted, provided that the normal operation of the EUT is self-recoverable to the condition established prior to the application of the test.

Where required, as defined in Clause 5 of CISPR 35/ EN 55035, the acceptable operation of the function shall be verified at the completion of the test as described in Table H.1 of CISPR 35/ EN 55035, by confirming the following:

- the EUT's ability to establish a connection,
- the EUT's ability to clear a connection.

During surge testing disconnection is allowed on the analogue/digital data port being tested.

If the EUT is a supervisory equipment, it shall not impact the normal operation of the network being monitored. In addition, any supervisory functions impacted during the period of the test shall return to the state prior to the test. Elements to consider include: alarms, signalling lamps, printer output, network traffic rates, network monitoring.

Performance criterion C

Degradation of performance as described in criteria A and B is permitted provided that the normal operation of the EUT is self-recoverable to the condition immediately before the application of the test, or can be restored after the test by the operator.

Product Specific Performance Criteria for xDSL

The particular performance criteria which are specified in the normative annexes of CISPR 35/ EN 55035 take precedence over the corresponding parts of the general performance criteria.

Performance criterion A

Applicable for the test requirement defined in table clause 2.1 of EN 55035

During the swept frequency test the established connection shall be maintained throughout the testing and the information transferred without any additional reproducible errors or loss of synchronisation. If a degradation in performance is observed and the system is adaptive, for example has the capability to automatically retrain in the presence of an interfering signal, then for conducted immunity tests only, the following procedure shall be followed:

- a) For each range of interfering frequencies in which degradation in performance is observed, three frequencies (beginning, middle and end) shall be identified.
- b) At each of the frequencies identified in step a), the interfering signal shall be turned on and the system is allowed to retrain.
- c) If the system is able to retrain and then functions correctly for a dwell time of at least 60 seconds without any additional reproducible errors or loss of synchronisation, then the performance level of the system is considered acceptable.
- d) The frequencies identified in step a) and the data rates achieved in step b) shall be recorded in the test report.

Applicable for the test requirement defined in table clause 2.2 of EN 55035

It is important that the modems are able to train in the presence of repetitive impulsive noise and minimize disruption to the end-user where a repetitive impulsive noise source starts after the link has synchronized. Therefore the following procedure and performance criteria shall apply.

The manufacturer shall select the class of impulsive noise protection (INP) to be used for the immunity test and should state this information in the technical documentation and in the test report. The maximum delay shall be set to 8 ms.

In the absence of impulsive noise: The modem shall operate without retraining at its target noise margin with a bit rate value depending on the line attenuation and the stationary noise being present on the line. (The actual value will be between the minimum and maximum bit rate values programmed in the port).

The impulsive noise source shall then be applied at the required test level.

With the impulsive noise applied: The modem shall operate without retraining and without SES at the bit rate

established prior to the application of the impulsive noise. No extra CRC errors shall occur due to the impulsive noise. After the test, the noise margin value shall return to the target noise margin.

Performance criterion B

Applicable for the test requirement defined in table clause 2.3 of EN 55035

Modems shall withstand the occurrence of isolated impulsive noise events. The performance criteria defined in below Table shall be applied.

Impulse duration (ms)	Performance criteria
0.24	The application of the impulse shall not cause the xDSL link to lose synchronisation. No CRC errors are permitted.
10	The application of the 5 impulses shall result in less than 75 CRC errors and shall not cause the link to lose synchronisation.
300	The application of the impulse shall not cause the xDSL link to lose synchronisation.

Applicable for the test requirements defined in table clauses 2.5 and 4.5 of EN 55035

For application of this test to the xDSL port, a repetition rate of 100 kHz (burst length 0.75 ms) shall be used.

Degradation of the performance as described in criterion A is permitted in that errors are acceptable during the application of the test. However the application of the test shall not cause the system to lose the established connection or re-train. At the cessation of the test the system shall operate in the condition established prior to the application of the test without user intervention.

After the application of the EFT/B tests to the xDSL or AC mains port, the CRC error count shall not have increased by more than 600 when compared to the count prior to the application of the test.

Performance criterion C

Degradation of the performance as described in criteria A and B is permitted provided that the normal operation of the EUT is self-recoverable to the condition established prior to application of the test or can be restored after the test by the operator.

2.2 Measurement Uncertainty

Where relevant, the following measurement uncertainty levels have been estimated for tests performed on the EUT as specified in CISPR 16-4-2:

Measurement	Specification	Expanded Uncertainty (k=2) (±)	Maximum allowable uncertainty (±)
Conducted Emissions from Power Ports	9 kHz ~ 30 MHz	2.94 dB	3.4 dB (U_{CISPR})
Conducted Emissions from Wired Network Ports	150 kHz ~ 30 MHz	ISN Cat3 : 3.42 dB ISN Cat5 : 3.88 dB ISN Cat6 : 4.38 dB Current Probe : 1.82 dB Voltage Probe : 2.94 dB Coaxial : 2.38 dB	5.0 dB (U_{CISPR}) using AAN 2.9 dB (U_{CISPR}) using CP 3.9 dB (U_{CISPR}) using CVP
Radiated Emissions up to 1 GHz	30 MHz ~ 1 GHz	3m : 5.72 dB 10m : 4.38 dB	6.3 dB (U_{CISPR})
Radiated Emissions above 1 GHz	1 GHz ~ 6 GHz	4.42 dB	5.2 dB (U_{CISPR})

The other instruments specified are routine verified to remain within the calibrated levels, no measurement uncertainty is required to be calculated.

2.3 Supplementary Information

There is not any deviation from the test standards for the test method, and no modifications required for compliance.

3 General Information

3.1 Description of EUT

Product	Compact Embedded Computing System
Brand	Vecow
Test Model	VCM-1100F
Series Model	VCM-1000, VCM-1XXXXXXXXXXXXXXXXX ("X" can be 0-9, A-Z or blank for marketing purpose)
Model Difference	For marketing purpose
Sample Status	Engineering sample
Operating Software	Windows 10
Power Supply Rating	DC in 24V from adapter
Accessory Device	Adapter
Data Cable Supplied	N/A

Note: The EUT uses following accessory.

AC Adapter		
Brand	Model	Specification
LITEON	PA-1121-24	AC Input : 100-240Vac, 2.0A, 50-60Hz DC Output : 24V, 5.0A, 120W Power cable: Non-shielded AC 3 Pin (1.8m) Non-shielded DC (1.8m) with one ferrite core

3.2 Primary Clock Frequencies of Internal Source

The highest frequency generated or used within the EUT or on which the EUT operates or tunes is 1.1GHz, provided by Vecow Co., Ltd., for detailed internal source, please refer to the manufacturer's specifications.

3.3 Features of EUT

The tests reported herein were performed according to the method specified by Vecow Co., Ltd., for detailed feature description, please refer to the manufacturer's specifications or user's manual.

Please refer to appendix of the report if the applicant has provided additional descriptions of the EUT.

The EUT configured with the following key components:

Component	Specification
CPU	Intel i7-13700TE 1.1GHz
RAM	Innodisk DDR5 4800 32GB*2
SSD	MEMXPRO ET30 128GB

3.4 Operating Modes of EUT and Determination of Worst Case Operating Mode

The EUT has been pre-tested under following test modes.

Test Condition	
Mode	Conducted Emissions from Wired Network Ports
1	Full system,DVI+VGA:1920*1200,60Hz + Lan 1+Lan 2:1G link + Lan 3~Lan 6 with PoE load & link + for Lan 1 1G link test + Input Power(230 Vac, 50 Hz)
2	Full system,DVI+VGA:1920*1200,60Hz + Lan 1+Lan 2:1G link + Lan 3~Lan 6 with PoE load & link + for Lan 2 1G link test + Input Power(230 Vac, 50 Hz)
3	Full system,DVI+VGA:1920*1200,60Hz + Lan 1+Lan 2:1G link + Lan 3~Lan 6 with PoE load & link + for PoE Lan 3 link test + Input Power(230 Vac, 50 Hz)
4	Full system,DVI+VGA:1920*1200,60Hz + Lan 1+Lan 2:1G link + Lan 3~Lan 6 with PoE load & link + for PoE Lan 4 link test + Input Power(230 Vac, 50 Hz)
5	Full system,DVI+VGA:1920*1200,60Hz + Lan 1+Lan 2:1G link + Lan 3~Lan 6 with PoE load & link + for PoE Lan 5 link test + Input Power(230 Vac, 50 Hz)
6	Full system,DVI+VGA:1920*1200,60Hz + Lan 1+Lan 2:1G link + Lan 3~Lan 6 with PoE load & link + for PoE Lan 6 link test + Input Power(230 Vac, 50 Hz)
Note: The worst case is that modes 2 and 4 are shown in bold.	
Mode	Radiated Emissions up to 1 GHz
1	Full system,DVI+VGA:1920*1200,60Hz + Lan 1+Lan 2:1G link + Lan 3~Lan 6 with PoE load & link
Notes:	
<ol style="list-style-type: none"> 1. There are both AC 230V/50Hz and AC 110V/60Hz to be pre-tested then AC (230V/50Hz) has the highest emission value. 2. There are both standby mode and normal mode to be pre-tested then normal mode has the highest emission value. 	

Test modes are presented in the report as below.

Test Condition	
Mode	Conducted Emissions from Power Ports
A	Full system,DVI+VGA:1920*1200,60Hz + Lan 1+Lan 2:1G link + Lan 3~Lan 6 with PoE load & link + Input Power(110 Vac, 60 Hz)
B	Full system,DVI+VGA:1920*1200,60Hz + Lan 1+Lan 2:1G link + Lan 3~Lan 6 with PoE load & link + Input Power(230 Vac, 50 Hz)
Mode	Conducted Emissions from Wired Network Ports
A	Full system,DVI+VGA:1920*1200,60Hz + Lan 1+Lan 2:1G link + Lan 3~Lan 6 with PoE load & link + for Lan 2 1G link test + Input Power(230 Vac, 50 Hz)
B	Full system,DVI+VGA:1920*1200,60Hz + Lan 1+Lan 2:1G link + Lan 3~Lan 6 with PoE load & link + for PoE Lan 4 link test + Input Power(230 Vac, 50 Hz)
Note: There are both link mode and idle mode to be pre-tested then link mode has the highest emission value.	
Mode	Radiated Emissions up to 1 GHz
A	Full system,DVI+VGA:1920*1200,60Hz + Lan 1+Lan 2:1G link + Lan 3~Lan 6 with PoE load & link + Input Power(230 Vac, 50 Hz)
Mode	Radiated Emissions above 1 GHz
A	Full system,DVI+VGA:1920*1200,60Hz + Lan 1+Lan 2:1G link + Lan 3~Lan 6 with PoE load & link + Input Power(230 Vac, 50 Hz)
Mode	Harmonic Current Measurement
A	Full system,DVI+VGA:1920*1200,60Hz + Lan 1+Lan 2:1G link + Lan 3~Lan 6 with PoE load & link + Input Power(230 Vac, 50 Hz)
Mode	Voltage Fluctuations and Flicker Measurement
A	Full system,DVI+VGA:1920*1200,60Hz + Lan 1+Lan 2:1G link + Lan 3~Lan 6 with PoE load & link + Input Power(230 Vac, 50 Hz)
Mode	Electrostatic Discharges (ESD)
A	Full system,DVI+VGA:1920*1200,60Hz + Lan 1+Lan 2:1G link + Lan 3~Lan 6 with PoE load & link + Input Power(230 Vac, 50 Hz)
Mode	Radio Frequency Electromagnetic Field (RS)
A	Full system,DVI+VGA:1920*1200,60Hz + Lan 1+Lan 2:1G link + Lan 3~Lan 6 with PoE load & link + Input Power(230 Vac, 50 Hz)
Mode	Fast Transients Common Mode (EFT)
A	Full system,DVI+VGA:1920*1200,60Hz + Lan 1+Lan 2:1G link + Lan 3~Lan 6 with PoE load & link + Input Power(230 Vac, 50 Hz)
Mode	Surges
A	Full system,DVI+VGA:1920*1200,60Hz + Lan 1+Lan 2:1G link + Lan 3~Lan 6 with PoE load & link + Input Power(230 Vac, 50 Hz)
Mode	Radio Frequency Common Mode (CS)
A	Full system,DVI+VGA:1920*1200,60Hz + Lan 1+Lan 2:1G link + Lan 3~Lan 6 with PoE load & link + Input Power(230 Vac, 50 Hz)
Mode	Power Frequency Magnetic Field (PFMF)
A	Full system,DVI+VGA:1920*1200,60Hz + Lan 1+Lan 2:1G link + Lan 3~Lan 6 with PoE load & link + Input Power(230 Vac, 50 Hz)
Mode	Voltage Dips and Interruptions (DIP)
A	Full system,DVI+VGA:1920*1200,60Hz + Lan 1+Lan 2:1G link + Lan 3~Lan 6 with PoE load & link + Input Power(230 Vac, 50 Hz)

3.5 Test Program Used and Operation Descriptions

For Emission test (Harmonics & Flicker excluded)

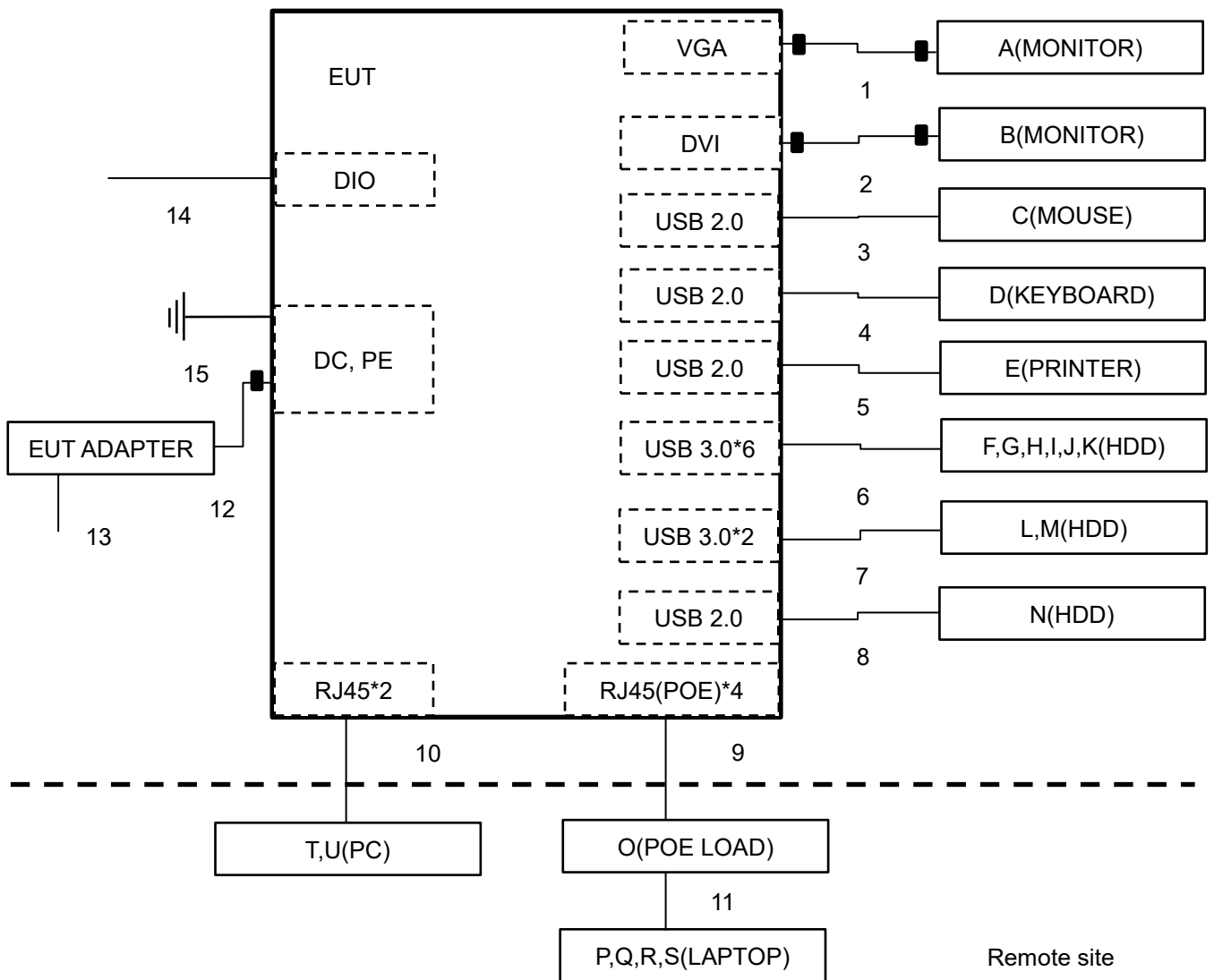
- a. Turned on the power of all equipment.
- b. EUT ran a test program to enable all functions.
- c. EUT read and wrote messages to/ from internal storage drives, and external storage drives.
- d. EUT sent "ITU-R 471-1" messages to monitor. Then they displayed messages on their screens simultaneously.
- e. EUT sent "1kHz audio" signal out.
- f. EUT sent and received messages to/ from PC (kept in a remote area) via STP cable.
- g. EUT sent and received messages to/ from Laptop (kept in a remote area) via UTP/ STP cable with PoE load.
- h. EUT sent messages to printer and printed them out.

For Harmonics, Flicker & Immunity test

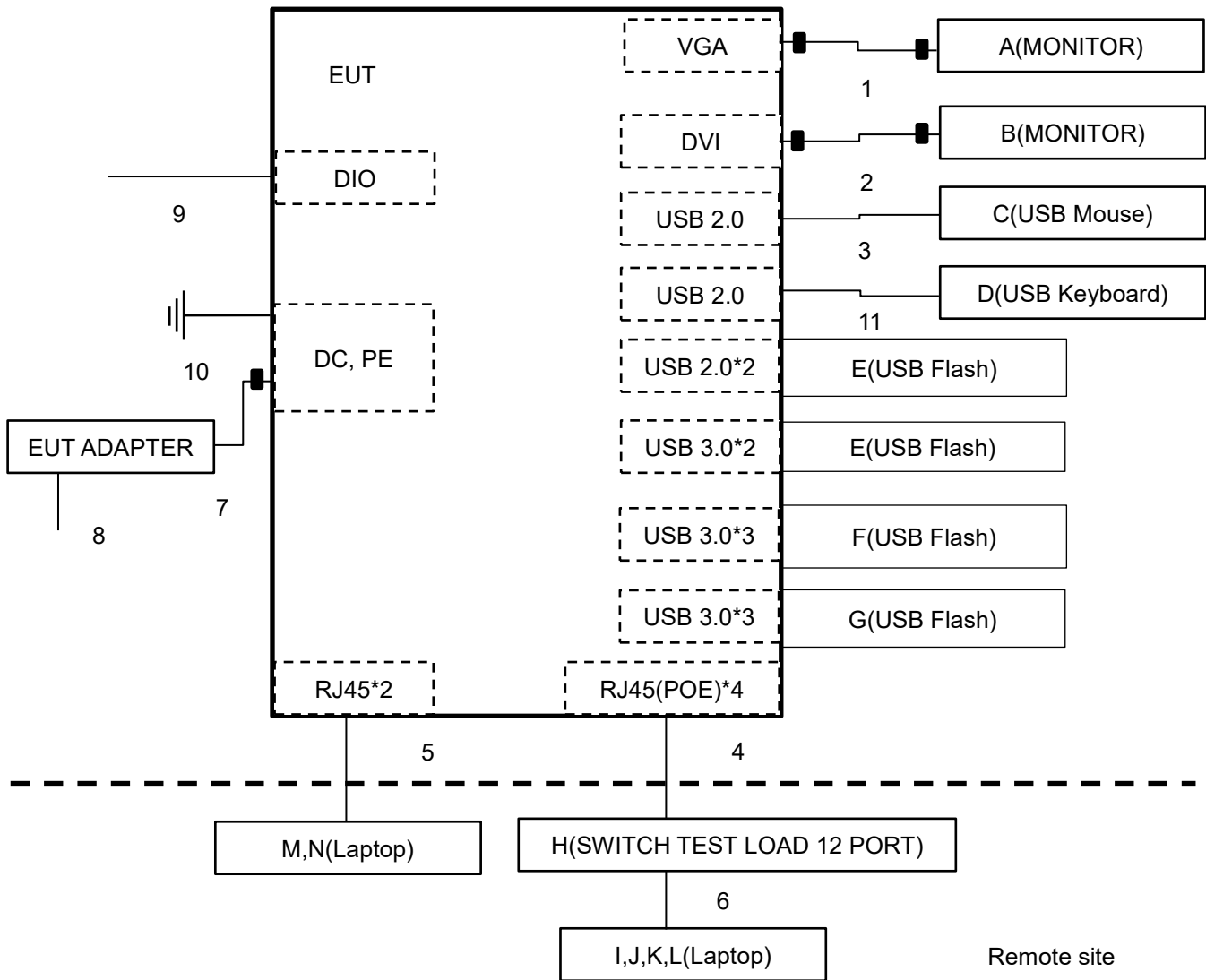
- a. Turned on the power of all equipment.
- b. EUT ran a test program to enable all functions.
- c. EUT read and wrote messages to/ from internal storage drives, and external storage drives.
- d. EUT sent "color bars with moving element" messages to monitor. Then they displayed messages on their screens simultaneously.
- e. EUT sent "1kHz audio" signal out.
- f. EUT sent and received messages to/ from Laptop (kept in a remote area) via UTP/ STP cable with PoE load.

3.6 Connection Diagram of EUT and Peripheral Devices

For Emission test (Harmonics & Flicker excluded)



For Harmonics, Flicker & Immunity test



3.7 Configuration of Peripheral Devices and Cable Connections

For Emission test (Harmonics & Flicker excluded)

ID	Product	Brand	Model No.	Serial No.	FCC ID	Remarks
A	Monitor	DELL	U2410	CN082WXD728720CC0LGL	DoC	Provided by Lab
B	Monitor	DELL	U2410	CN082WXD728720CC0UHL	DoC	Provided by Lab
C	USB Mouse	DELL	MOCZUL	CN-049TWY-PRC00-77B-0083	N/A	Provided by Lab
D	USB Keyboard	Dell	KB216t	CN-0W33XP-LO300-7CL-191E	N/A	Provided by Lab
E	Printer	HP	HP Officejet Pro 251dW	N/A	B94SDGOB1191	Provided by Lab
F	USB 3.0 External Hard Disk	WD	WDBUZG0010BBK-PESN	WX61A45JR2YK	DoC	Provided by Lab
G	USB 3.0 External Hard Disk	WD	WDBUZG0010BBK-PESN	WXN1E84F21W	DoC	Provided by Lab
H	USB 3.0 External Hard Disk	WD	WDBUZG0010BBK-PESN	WXM1E1504NEE	DoC	Provided by Lab
I	USB 3.0 External Hard Disk	WD	WDBUZG0010BBK-PESN	WXN1E94A9S8X	DoC	Provided by Lab
J	USB 3.0 External Hard Disk	WD	WDBUZG0010BBK-PESN	WXN1E84F21W	DoC	Provided by Lab
K	USB 3.0 External Hard Disk	WD	WDBUZG0010BBK-PESN	WXN1E94A7N5R	DoC	Provided by Lab
L	USB-C Hard Disk	G-DRIVE	0G04878	620XJ6RW	DoC	Provided by Lab
M	USB-C Hard Disk	G-DRIVE	0G04878	620VL3BW	DoC	Provided by Lab
N	USB-C Hard Disk	G-DRIVE	0G04878	BN071T1E	DoC	Provided by Lab
O	SWITCH TEST LOAD 12 PORT	Delta	DL-G12ATRA-R	420CC000032	N/A	Provided by Lab
P	Laptop	LENOVO	T480	PF1EK03U	N/A	Provided by Lab
Q	Laptop	LENOVO	T480	PF1EZSA2	N/A	Provided by Lab
R	Laptop	LENOVO	T480	PF1EPGFH	N/A	Provided by Lab
S	Laptop	LENOVO	T480	PF1EPB9F	N/A	Provided by Lab
T	PC	HP	Elite Desk 800G4	4CE8451MG4	N/A	Provided by Lab
U	PC	HP	Elite Desk 800G4	4CE8451BL4	N/A	Provided by Lab

ID	Cable Descriptions	Qty.	Length (m)	Shielding (Yes/No)	Cores (Qty.)	Remarks
1	VGA cable	1	1.8	Yes	2	Provided by Lab
2	DVI cable	1	1.8	Yes	2	Provided by Lab
3	USB cable	1	1.8	Yes	0	Provided by Lab
4	USB cable	1	1.8	Yes	0	Provided by Lab
5	USB cable	1	1.8	Yes	0	Provided by Lab
6	USB cable	6	1.2	Yes	0	Provided by Lab
7	USB cable	2	1	Yes	0	Provided by Lab
8	USB cable	1	1	Yes	0	Provided by Lab
9	RJ45 (Cat. 5e) cable	4	10	Yes	0	Provided by Lab
10	RJ45 (Cat. 5e) cable	2	10	Yes	0	Provided by Lab
11	RJ45 (Cat. 5e) cable	4	1	No	0	Provided by Lab
12	DC power cable	1	1.8	No	1	Supplied by applicant
13	AC power(3pin) cable	1	1.8	No	0	Supplied by applicant

ID	Cable Descriptions	Qty.	Length (m)	Shielding (Yes/No)	Cores (Qty.)	Remarks
14	DIO cable	5	1.4	No	0	Provided by Lab
15	GND cable	1	1.5	No	0	Provided by Lab

For Harmonics, Flicker & Immunity test

ID	Product	Brand	Model No.	Serial No.	FCC ID	Remarks
A	Monitor	DELL	U2412M	CN-07N2FG-TV100-7BG-093L	N/A	Provided by Lab
B	Monitor	DELL	U2412M	CN-07N2FG-TV100-7BG-039L	N/A	Provided by Lab
C	USB Mouse	HP	SM-2022	N/A	N/A	Provided by Lab
D	USB Keyboard	HP	KBAR211	N/A	N/A	Provided by Lab
E	USB FLASH	Transcend	JetFlash 710	N/A	N/A	Provided by Lab
F	USB FLASH	HP	x750w	N/A	N/A	Provided by Lab
G	USB FLASH	PNY	16G	N/A	N/A	Provided by Lab
H	SWITCH TEST LOAD 12 PORT	Delta	DL-G12ATRA-R	420CC000032	N/A	Provided by Lab
I	Laptop	DELL	Latitude 5401	7NPL3X2	DoC	Provided by Lab
J	Laptop	DELL	Latitude 5420	FHS33F3	N/A	Provided by Lab
K	Laptop	Lenovo	X250ALT5	PC0AR60U	N/A	Provided by Lab
L	Laptop	Lenovo	L470	PF1954HH	N/A	Provided by Lab
M	Laptop	Lenovo	L470	PF0VTGKS	N/A	Provided by Lab
N	Laptop	Lenovo	X250	PC04V58E	N/A	Provided by Lab

ID	Cable Descriptions	Qty.	Length (m)	Shielding (Yes/No)	Cores (Qty.)	Remarks
1	VGA cable	1	1.8	Yes	2	Provided by Lab
2	DVI cable	1	1.8	Yes	2	Provided by Lab
3	USB 2.0 cable	1	1.8	Yes	0	Provided by Lab
4	RJ45 (Cat. 5e) cable	4	10	Yes	0	Provided by Lab
5	RJ45 (Cat. 5e) cable	2	10	Yes	0	Provided by Lab
6	RJ45 (Cat. 5e) cable	4	1	No	0	Provided by Lab
7	DC power cable	1	1.8	No	1	Supplied by applicant
8	AC power(3pin) cable	1	1.8	No	0	Supplied by applicant
9	DIO cable	5	1.4	No	0	Supplied by applicant
10	GND cable	1	1.5	No	0	Provided by Lab
11	USB 2.0 cable	1	1.8	Yes	0	Provided by Lab

4 Test Instruments

The calibration interval of the all test instruments are 12 months and the calibrations are traceable to NML/ROC and NIST/USA.

4.1 Conducted Emissions from Power Ports

Description Manufacturer	Model No.	Serial No.	Calibrated Date	Calibrated Until
50 ohm terminal resistance LYNICS	0900510	E1-01-299	2023/1/5	2024/1/4
		E1-011286	2022/9/19	2023/9/18
DC LISN R&S	ESH3-Z6	100219	2022/8/2	2023/8/1
		844950/018	2022/8/2	2023/8/1
EMI Test Receiver R&S	ESCS 30	100276	2023/4/20	2024/4/19
	ESR3	102414	2022/12/14	2023/12/13
Fixed Attenuator STI	STI02-2200-10	NO.2	2022/8/11	2023/8/10
Isolation Transformer Erika Fiedler	D-65396	017	2022/9/8	2023/9/7
LISN R&S	ESH2-Z5	100104	2022/12/15	2023/12/14
	ESH3-Z5	847265/023	2022/10/26	2023/10/25
LISN Schwarzbeck	NNLK 8121	8121-731	2023/6/9	2024/6/8
		8121-00759	2022/8/18	2023/8/17
		8121-808	2023/5/2	2024/5/1
	NNLK 8129	8129229	2023/6/27	2024/6/26
RF Coaxial Cable PEWC	5D-FB	Cable-CO9-01	2022/8/11	2023/8/10
Software BVADT	Cond_V7.3.7.4	N/A	N/A	N/A

Notes:

1. The test was performed in Linkou Conduction 9.
2. The VCCI Site Registration No. C-11312.
3. Tested Date: 2023/7/15

4.2 Conducted Emissions from Wired Network Ports

Description Manufacturer	Model No.	Serial No.	Calibrated Date	Calibrated Until
50 ohm terminal resistance LYNICS	0900510	E1-01-299	2023/1/5	2024/1/4
Capacitive Voltage Probe FCC	F-CVP-1	82	2022/8/11	2023/8/10
DC LISN R&S	ESH3-Z6	100219	2022/8/2	2023/8/1
		844950/018	2022/8/2	2023/8/1
EMI Test Receiver R&S	ESCS 30	100276	2023/4/20	2024/4/19
	ESR3	102414	2022/12/14	2023/12/13
Impedance Stabilization Network FCC	F-071115-1057-1	20651	2023/3/15	2024/3/14
		20652	2023/1/10	2024/1/9
Impedance Stabilization Network TESEQ	ISN S751	40599	2022/8/18	2023/8/17
	ISN ST08	41211	2022/9/26	2023/9/25
		41212	2022/8/16	2023/8/15
	ISN T8-Cat.6	53159	2023/3/22	2024/3/21
	ISN T800	36181	2022/8/19	2023/8/18
Impedance-stabilization-network TESEQ	ISN T400A	28573	2022/8/17	2023/8/16
Injection Clamp FCC	FCC-203I	50	N/A	N/A
Isolation Transformer Erika Fiedler	D-65396	017	2022/9/8	2023/9/7
LISN R&S	ESH2-Z5	100104	2022/12/15	2023/12/14
	ESH3-Z5	847265/023	2022/10/26	2023/10/25
LISN Schwarzbeck	NNLK 8121	8121-00759	2022/8/18	2023/8/17
		8121-808	2023/5/2	2024/5/1
Matching Pad EMCI	EMCI-3PD5M75BF	N/A	2022/12/13	2023/12/12
RF Coaxial Cable PEWC	5D-FB	Cable-CO9-01	2022/8/11	2023/8/10
RF Current Probe FCC	F-33-4	56	2022/8/1	2023/7/31
Software BVADT	ISN_V7.3.7.4	N/A	N/A	N/A

Notes:

1. The test was performed in Linkou Conduction 9(ISN 9).
2. The VCCI Site Registration No. T-11587.
3. Tested Date: 2023/7/15

4.3 Radiated Emissions up to 1 GHz

Description Manufacturer	Model No.	Serial No.	Calibrated Date	Calibrated Until
ADT. Tower	AT100	0205	N/A	N/A
ADT. Turn Table	TT100	0205	N/A	N/A
Bi_Log Antenna Schwarzbeck	VULB 9168	9168-303	2022/10/25	2023/10/24
Coupling / Decoupling Network Schwarzbeck	CDNE-M2	00097	2023/5/25	2024/5/24
	CDNE-M3	00091	2023/5/25	2024/5/24
EMI Test Receiver R&S	ESCS 30	100276	2023/4/20	2024/4/19
		100292	2022/8/30	2023/8/29
Fixed Attenuator Mini-Circuits	UNAT-5+	PAD-ST2-01	2022/10/21	2023/10/20
Preamplifier Agilent	8447D	2944A11062	2023/2/15	2024/2/14
Preamplifier EMCI	EMC9135	980711	2023/3/12	2024/3/11
Preamplifier HP	8447D	2944A08313	2023/2/15	2024/2/14
RF Coaxial Cable Pacific	8D-FB	Cable-ST2-01	2022/10/21	2023/10/20
Software BVADT	Radiated_V7.6.15.9.5	N/A	N/A	N/A

Notes:

1. The test was performed in Linkou Open Site2 , The test site validated date: 2022/7/16 (NSA)
2. The VCCI Site Registration No. R-10237.
3. Tested Date: 2023/7/12

4.4 Radiated Emissions above 1 GHz

Description Manufacturer	Model No.	Serial No.	Calibrated Date	Calibrated Until
Band Pass Filter Micro-Tronics	BRM17690	005	2023/5/25	2024/5/24
Fix tool for Boresight antenna tower BV	BAF-01	9	N/A	N/A
Fixed Attenuator Mini-Circuits	BW-K3-2W44+	PAD-CH7-03	2023/7/6	2024/7/5
	BW-N4W5+	PAD-CH10-02	2023/7/6	2024/7/5
Horn Antenna EMCO	3115	6714	2022/11/13	2023/11/12
Horn Antenna ETS-Lindgren	3117-PA	00215857	2022/11/13	2023/11/12
Horn Antenna Schwarzbeck	BBHA 9170	212	2022/10/20	2023/10/19
MXA Signal Analyzer Keysight	N9020B	MY60110438	2022/12/6	2023/12/5
		MY60112260	2023/5/24	2024/5/23
Notch Filter Micro-Tronics	BRC50703-01	010	2023/5/25	2024/5/24
Preamplifier EMCI	EMC0126545	980076	2023/2/16	2024/2/15
	EMC184045B	980235	2023/2/16	2024/2/15
Preamplifier HP	8449B	3008A01292	2023/2/16	2024/2/15
PSA Spectrum Analyzer Agilent	E4446A	MY51100009	2023/6/21	2024/6/20
RF Coaxial Cable EMEC	EM102-KMKM-3.5	EM102-KMKM-3.5-02	2022/9/27	2023/9/26
RF Coaxial Cable Woken	WC01	Cable-CH10-03	2023/7/6	2024/7/5
Software BVADT	Radiated_V8.7.08	N/A	N/A	N/A
Turn Table & Tower Max Full	MF7802	MF780208216	N/A	N/A

Notes:

1. The test was performed in Linkou 966 Chamber 3 (CH 10).
2. The VCCI Site Registration No. G-10427.
3. Tested Date: 2023/7/12

4.5 Harmonic Current Measurement

Description Manufacturer	Model No.	Serial No.	Calibrated Date	Calibrated Until
Harmonics and Flicker Analyzer TESEQ	PROFLINE 2105	1632A00983&1639A01863	2022/8/30	2023/8/29
Software	CTS 4	N/A	N/A	N/A

Notes:

1. The test was performed in Linkou EMS Room No.1.
2. Tested Date: 2023/7/25

4.6 Voltage Fluctuations and Flicker Measurement

Refer to section 4.5 to get information of the instruments.

4.7 Electrostatic Discharges (ESD)

Description Manufacturer	Model No.	Serial No.	Calibrated Date	Calibrated Until
Electronic Discharge Simulator Noiseken	ESS-2000	ESS0382041	2022/10/7	2023/10/6
Electrostatic Analog Tester TESEQ	NSG 438	1875	2022/11/11	2023/11/10
ESD Generator EM TEST	Dito//DM-150/330//DM- 150/330-rfci	P1315117252/P1317117852	2023/7/6	2024/7/5
ESD Simulator EM TEST	Dito	V0707102251	2023/3/24	2024/3/23
ESD Simulator KeyTek	MZ15/EC	0504259	2022/11/8	2023/11/7
ESD Simulator TESEQ	NSG 438	1364	2022/12/2	2023/12/1

Notes:

1. The test was performed in Linkou ESD Room No.01.
2. Tested Date: 2023/7/31

4.8 Radio Frequency Electromagnetic Field (RS)

Description Manufacturer	Model No.	Serial No.	Calibrated Date	Calibrated Until
Amplifier BONN	BSA 0125-800	1912556	N/A	N/A
Amplifier TESTQ	CBA 1G-275	T44344	N/A	N/A
Audio analyzer R&S	UPV	103095	2022/9/1	2023/8/31
Band Pass Filter B&K	WH3278	N/A	2022/11/15	2023/11/14
BiconiLog Antenna EMCO	3141	1001	N/A	N/A
CHANCE MOST Full Anechoic Chamber (9x5x3m)	Chance Most	RS-002	2023/2/3	2024/2/2
Controller AR	SC1000M3	305910	N/A	N/A
High Gain Horn Antenna AR	AT4010	0329800	N/A	N/A
Isotropic EM Field Probe+EM Field Meter Wavecontrol	WPF18+SMP2	21WP090492+21SN1691	N/A	N/A
Log Periodic Antenna AR	AT6080	0329465	N/A	N/A
Power Amplifier AR	35S4G8AM4	0326094	N/A	N/A
	100S1G4M3	0329249	N/A	N/A
Power Meter Boonton	4232A	94901	2023/5/31	2024/5/30
Power Sensor Boonton	51011-EMC	32807	2023/5/31	2024/5/30
		32832	2023/5/31	2024/5/30
Pressure-field Microphone B&K	4192	3190854	2022/12/12	2023/12/11
		3190855	2022/12/12	2023/12/11
PSG Analog Signal Generator Agilent	E8257D	MY48050465	2023/6/26	2024/6/25
Software BVADT	RS_V7.6	N/A	N/A	N/A
Software	ABMS_V7.4.3	N/A	N/A	N/A
Stacked Log Periodic Antenna Schwarzbeck	STLP 9149	9149-260	N/A	N/A
Two channel microphone conditioning amplifier B&K	2690 OS2	3001996	2022/11/15	2023/11/14
Wireless Connection Tester R&S	CMW270	101075	2023/4/28	2024/4/27

Notes:

1. The test was performed in Linkou RS Room No.02.
2. Tested Date: 2023/7/26

4.9 Fast Transients Common Mode (EFT)

Description Manufacturer	Model No.	Serial No.	Calibrated Date	Calibrated Until
Burst generator Haefely	PEFT 4010	154954	2023/3/24	2024/3/23

Notes:

1. The test was performed in Linkou EFT Room .
2. Tested Date: 2023/7/25

4.10 Surges

Description Manufacturer	Model No.	Serial No.	Calibrated Date	Calibrated Until
Coupling / Decoupling Network TESEQ	CDN HSS-2	41009	2023/4/18	2024/4/17
EMC Immunity Tester EMC PARTNER	TRANSIENT 2000	622	2023/3/7	2024/3/6

Notes:

1. The test was performed in Linkou EMS Room No.1.
2. Tested Date: 2023/7/25

4.11 Radio Frequency Common Mode (CS)

Description Manufacturer	Model No.	Serial No.	Calibrated Date	Calibrated Until
Amplifier AR	75A250AM1	306331	N/A	N/A
Audio analyzer R&S	UPV	103095	2022/9/1	2023/8/31
CDN Calibration Kit TESEQ	CDN T8S	29459	2023/2/21	2024/2/20
Coupling / Decoupling Network EM TEST	CDN M1/32A	306508	2023/2/22	2024/2/21
Coupling / Decoupling Network FCC	FCC-801-M2-16A	01047	2023/2/22	2024/2/21
	FCC-801-M5-50A	100018	2023/1/17	2024/1/16
Coupling / Decoupling Network TESEQ	CDN M232	37702	2023/2/22	2024/2/21
	CDN M332	41256	2023/2/22	2024/2/21
		41258	2023/2/22	2024/2/21
	CDN M432S	56519	2023/2/22	2024/2/21
	CDN S200	53490	2023/2/23	2024/2/22
	CDN S400	52115	2023/2/23	2024/2/22
	CDN S751A	56435	2023/2/20	2024/2/19
		56436	2023/2/21	2024/2/20
	CDN ST08A	56525	2023/2/20	2024/2/19
		56527	2023/2/20	2024/2/19
	CDN T2A-10	54942	2023/2/21	2024/2/20
	CDN T8-10	40376	2023/2/21	2024/2/20
		56641	2023/2/21	2024/2/20
CDN T8-230	56642	2023/2/21	2024/2/20	
	49918	2023/2/22	2024/2/21	
CDN T400A	49918	2023/2/22	2024/2/21	
CDN T800	34428	2023/2/21	2024/2/20	
Current Clamp FCC	F-120-9A	361	2022/8/17	2023/8/16
Ear Simulator Telephonometry B&K	4185	2553594	N/A	N/A
FCC EM Injection Clamp FCC	F-203I-23mm	455	N/A	N/A
Mouth Simulator B&K	4227	2630632	N/A	N/A
POWER AMPLIFIER B&K	2716C	2610979	N/A	N/A
Power Meter R&S	NRVD	837794/040	2022/10/18	2023/10/17
Power Sensor R&S	NRV-Z5	837878/039	2022/10/18	2023/10/17
Pressure-field Microphone B&K	4192	2735407	N/A	N/A
Signal Generator R&S	SML03	101364	2022/8/16	2023/8/15
Software BVADT	ABMS_ V7.4.3	N/A	N/A	N/A



Description Manufacturer	Model No.	Serial No.	Calibrated Date	Calibrated Until
Software BVADT	BVADT_CS_V7.6.6	N/A	N/A	N/A
Two channel microphone conditioning amplifier B&K	2690 OS2	3001996	2022/11/15	2023/11/14
Wireless Connection Tester R&S	CMW270	101075	N/A	N/A

Notes:

1. The test was performed in Linkou CS Room No.1.
2. Tested Date: 2023/7/25

4.12 Power Frequency Magnetic Field (PFMF)

Description Manufacturer	Model No.	Serial No.	Calibrated Date	Calibrated Until
Magnetic Field Meter Combinova	MFM 10	224	2022/10/18	2023/10/17
Magnetic Field Test System Haefely Trench AG	MAG 100	083794-06	N/A	N/A

Notes:

1. The test was performed in Linkou EMS Room No.1.
2. Tested Date: 2023/7/25

4.13 Voltage Dips and Interruptions (DIP)

Description Manufacturer	Model No.	Serial No.	Calibrated Date	Calibrated Until
Harmonics and Flicker Analyzer TESEQ	PROFLINE 2105	1632A00983&1639A01863	2022/8/30	2023/8/29
Software	WIN2120	N/A	N/A	N/A

Notes:

1. The test was performed in Linkou EMS Room No.1.
2. Tested Date: 2023/7/25

5 Limits of Test Items

5.1 Conducted Emissions from Power Ports

Frequency (MHz)	Class A (dB μ V)		Class B (dB μ V)	
	Quasi-peak	Average	Quasi-peak	Average
0.15 - 0.5	79	66	66 - 56	56 - 46
0.50 - 5.0	73	60	56	46
5.0 - 30.0	73	60	60	50

- Notes: 1. The lower limit shall apply at the transition frequencies.
 2. The limit decreases linearly with the logarithm of the frequency in the range of 0.15 to 0.50 MHz.

5.2 Conducted Emissions from Wired Network Ports

Frequency (MHz)	Coupling Device	Class A				Class B			
		Voltage Limit (dB μ V)		Current limits (dB μ A)		Voltage Limit (dB μ V)		Current limits (dB μ A)	
		Quasi-peak	Average	Quasi-peak	Average	Quasi-peak	Average	Quasi-peak	Average
0.15-0.5	Using AAN	97-87	84-74	-	-	84-74	74-64	-	-
0.5-30		87	74	-	-	74	64	-	-
0.15-0.5	Using CVP and Current probe	97-87	84-74	53-43	40-30	84-74	74-64	40-30	30-20
0.5-30		87	74	43	30	74	64	30	20
0.15-0.5	Using a 150 Ω load	-	-	53-43	40-30	-	-	40-30	30-20
0.5-30		-	-	43	30	-	-	30	20

Note: The limits decrease linearly with the logarithm of the frequency in the range 0.15 MHz to 0.5 MHz.

5.3 Radiated Emissions up to 1 GHz

Frequency (MHz)	Class A		Class B	
	Quasi-peak (dB μ V/m)		Quasi-peak (dB μ V/m)	
	at 3m	at 10m	at 3m	at 10m
30 - 230	50	40	40	30
230 - 1000	57	47	47	37

- Notes: 1. The lower limit shall apply at the transition frequencies.
 2. Emission level (dB μ V/m) = 20 log Emission level (μ V/m).
 3. All emanations from a class A/B digital device or system, including any network of conductors and apparatus connected thereto, shall not exceed the level of field strengths specified above.

5.4 Radiated Emissions above 1 GHz

Frequency (GHz)	Class A (dBuV/m) (at 3m)		Class B (dBuV/m) (at 3m)	
	Average	Peak	Average	Peak
1 to 3	56	76	50	70
3 to 6	60	80	54	74

- Notes: 1. The lower limit shall apply at the transition frequencies.
 2. Emission level (dBuV/m) = 20 log Emission level (uV/m).
 3. All emanations from a class A/B digital device or system, including any network of conductors and apparatus connected thereto, shall not exceed the level of field strengths specified above.

Frequency Range of Radiated Measurement (For unintentional radiators)

Highest internal frequency (F_x)	Highest measurement frequency (F_M) (GHz)
$F_x \leq 108 \text{ MHz}$	1
$108 \text{ MHz} < F_x \leq 500 \text{ MHz}$	2
$500 \text{ MHz} < F_x \leq 1 \text{ GHz}$	5
$F_x > 1 \text{ GHz}$	$5 \times F_x$ up to a maximum of 6 GHz

F_x is the highest fundamental frequency generated and/or used in the ITE or digital apparatus under test.

5.5 Harmonic Current Measurement

Limits for Class A equipment		Limits for Class D equipment		
Harmonic Order n	Max. permissible harmonics current A	Harmonic Order n	Max. permissible harmonics current per watt mA/W	Max. permissible harmonics current A
Odd harmonics		Odd Harmonics only		
3	2.30	3	3.4	2.30
5	1.14	5	1.9	1.14
7	0.77	7	1.0	0.77
9	0.40	9	0.5	0.40
11	0.33	11	0.35	0.33
13	0.21	13	0.30	0.21
$15 \leq n \leq 39$	$0.15 \times 15/n$	$15 \leq n \leq 39$	$3.85/n$	$0.15 \times 15/n$
Even harmonics				
2	1.08			
4	0.43			
6	0.30			
$8 \leq n \leq 40$	$0.23 \times 8/n$			

Notes: 1. Class A and Class D are classified according to section 5 of EN 61000-3-2.

2. According to section 7 of EN 61000-3-2, the above limits for all equipment except for lighting equipment having an active input power > 75 W and no limits apply for equipment with an active input power up to and including 75 W.

Classification of equipment

Class A	Class B	Class C	Class D
Balanced three-phase equipment; Household appliances excluding equipment as Class D; Tools excluding portable tools; Dimmers for incandescent lamps; Audio equipment; Equipment not specified in one of the three other classes.	Portable tools; Arc welding equipment which is not professional equipment.	Lighting equipment.	Equipment having a specified power less than or equal to 600 W of the following types: Personal computers and personal computer monitors; Television receivers; Refrigerators and freezers having one or more variable-speed drives to control compressor motor(s).

5.6 Voltage Fluctuations and Flicker Measurement

Test Item	Limit	Note
P_{st}	1.0	P_{st} means short-term flicker indicator.
P_{lt}	0.65	P_{lt} means long-term flicker indicator.
T_{dt} (ms)	500	T_{dt} means maximum time that $d(t)$ exceeds 3.3 %.
d_c (%)	3.3%	d_c means relative steady-state voltage change
d_{max} (%)		d_{max} means maximum relative voltage change. Control Method of Equipment (see below)
	4%	■ - without additional conditions
	6%	<input type="checkbox"/> - switched manually, or <input type="checkbox"/> - switched automatically more frequently than twice per day, and also has either a delayed restart (the delay not less than a few tens of seconds), or manual restart, after a power supply interruption
	7%	<input type="checkbox"/> - attended whilst in use (for example: hair dryers, vacuum cleaners, kitchen equipment such as mixers, garden equipment such as lawn mowers, portable tools such as electric drills), or switched on automatically, or <input type="checkbox"/> - is intended to be switched on manually, no more than twice per day, and also has either a delayed restart (the delay being not less than a few tens of seconds) or manual restart, after a power supply interruption.

5.7 General immunity requirements

For EN 55035

Port	Basic Standard	Test item	Test specification	Performance criteria
Power input (AC)	IEC 61000-4-4	Fast Transients, Common Mode (EFT)	±1 kV 5/50 ns (Tr/Th) 5 kHz, repetition frequency	B
	IEC 61000-4-5	Surge	Line to line: ±1 kV, 1.2/50 µs Line to earth: ±2 kV, 1.2/50 µs	B
	IEC 61000-4-6	Radio Frequency, Common Mode (CS)	0.15-10 MHz, 3 V, 80% AM (1 kHz), 10-30 MHz, 3 V-1 V, 80% AM (1 kHz), 30-80 MHz, 1 V, 80% AM (1 kHz),	A
	IEC 61000-4-11	Voltage dips and interruptions (DIP)	Voltage Dips: < 5% residual voltage, 0.5 cycle 70% residual voltage, 25 cycles (at 50 Hz) Voltage Interruption: < 5% residual voltage, 250 cycles (at 50 Hz)	B C C
DC power/ Wired network and Signal/ Control port	IEC 61000-4-4	Fast Transients, Common Mode (EFT)	±0.5 kV 5/50 ns (Tr/Th) 100 kHz, repetition frequency for xDSL port 5 kHz, repetition frequency for other port	B
	IEC 61000-4-5	Surge	Wired network ports (directly connected to outdoor cables): Symmetrically operated: 10/700 µs w/o primary protectors: ±1.0 kV, or with primary protectors fitted: ±1.0 kV and ±4.0 kV, Coaxial or shielded operated: 1.2/50 µs shield to ground: ±0.5 kV,	C B
			DC power ports (directly connected to outdoor cables): 1.2/50 µs each individual line to earth, or shield to ground: ±0.5 kV,	B
	IEC 61000-4-6	Broadband impulse noise disturbances (Applicable only to xDSL ports.)	Radio Frequency, Common Mode (CS) 0.15-10 MHz, 3 V, 80% AM (1 kHz), 10-30 MHz, 3 V-1 V, 80% AM (1 kHz), 30-80 MHz, 1 V, 80% AM (1 kHz),	A
			Repetitive : Impulse frequency profile : 0.15 – 0.5 MHz, 107 dBuV ; 0.5 – 10 MHz, 107 – 36 dBuV ; 10 – 30 MHz, 36 – 30 dBuV Burst duration : 0.70 ms Burst period : 10 ms (for 50 Hz) At least 2 minutes for each port under test. Isolated : Impulse frequency profile : 0.15 – 30 MHz, 110 dBuV Burst duration : 0.24 ms, 10 ms and 300 ms Isolated impulses : 5 times Interval : at least 60 seconds	A B

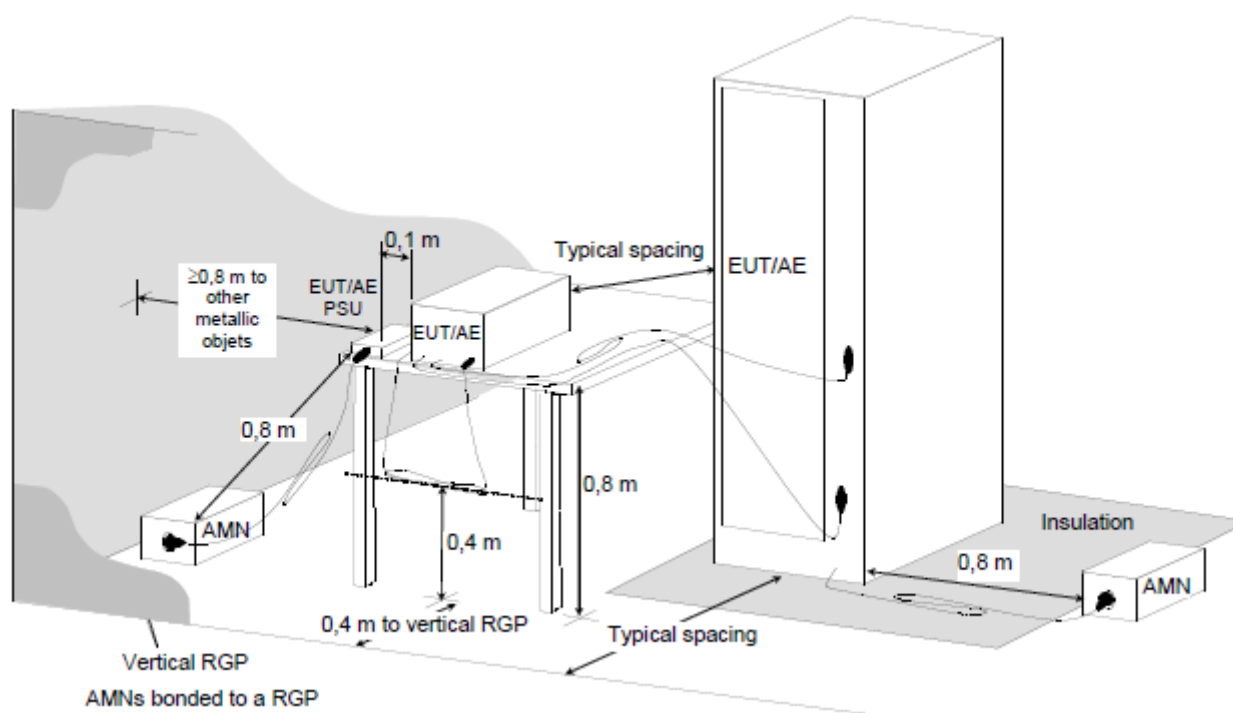
Port	Basic Standard	Test item	Test specification	Performance criteria
Enclosure	IEC 61000-4-2	Electrostatic Discharge (ESD)	±4 kV (contact) ±8 kV (Air)	B
	IEC 61000-4-3	Radio Frequency Electromagnetic Field (RS)	Swept Frequency Test: 80 to 1000(MHz), 3 V/m, 80% AM (1 kHz) Spot Frequency Test: 1800, 2600, 3500, 5000 MHz (±1%), 3 V/m, 80% AM (1 kHz)	A
	IEC 61000-4-8	Power Frequency Magnetic Field (PFMF)	1 A/m, 50 Hz	A

6 Test Arrangements

6.1 Conducted Emissions from Power Ports

- a. The EUT is placed 0.4 meters from the conducting wall of the shielded room with EUT being connected to the power mains through a line impedance stabilization network (LISN), or an Artificial Network (AN) as specified in CISPR 25 if used in a vehicle. Other support units are connected to the power mains through another LISN and/or AN. They provide coupling impedance for the measuring instrument.
- b. Both lines of the power mains connected to the EUT were checked for maximum conducted interference.
- c. The test results of conducted emissions at mains ports are recorded of six worst margins for quasi-peak (mandatory) [and average (if necessary)] values against the limits at frequencies of interest unless the margin is 20 dB or greater.

Note: The resolution bandwidth and video bandwidth of test receiver is 9kHz for quasi-peak detection (QP) and average detection (AV) at frequency 0.15MHz-30MHz.



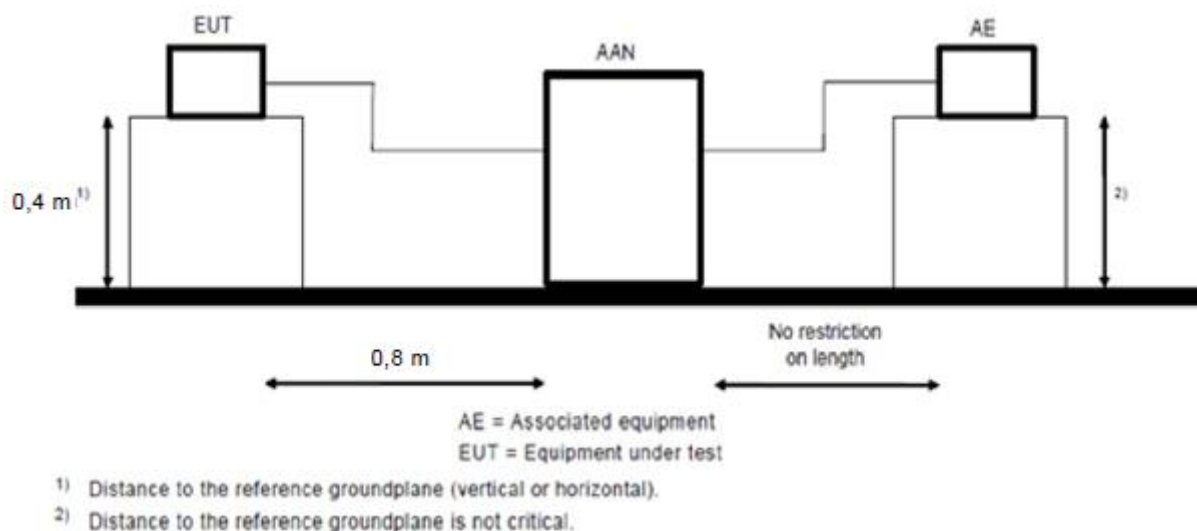
For the actual test configuration, please refer to the related Item – Photographs of the Test Configuration.

6.2 Conducted Emissions from Wired Network Ports

Method of Using AANs:

- The EUT is placed 0.4 meters from the conducting wall of the shielded room and connected to AAN directly to reference ground plane.
- If voltage measurement is used, measure voltage at the measurement port of the AAN, correct the reading by adding the AAN voltage division factor, and compare to the voltage limit.
- It is not necessary to apply the current limit if a AAN is used.
- The test results of disturbance at telecommunication ports are recorded of six worst margins for quasi-peak (mandatory) [and average (if necessary)] values against the limits at frequencies of interest unless the margin is 20 dB or greater.

Note: The resolution bandwidth and video bandwidth of test receiver is 9kHz for quasi-peak detection (QP) and average detection (AV) at frequency 0.15MHz-30MHz.

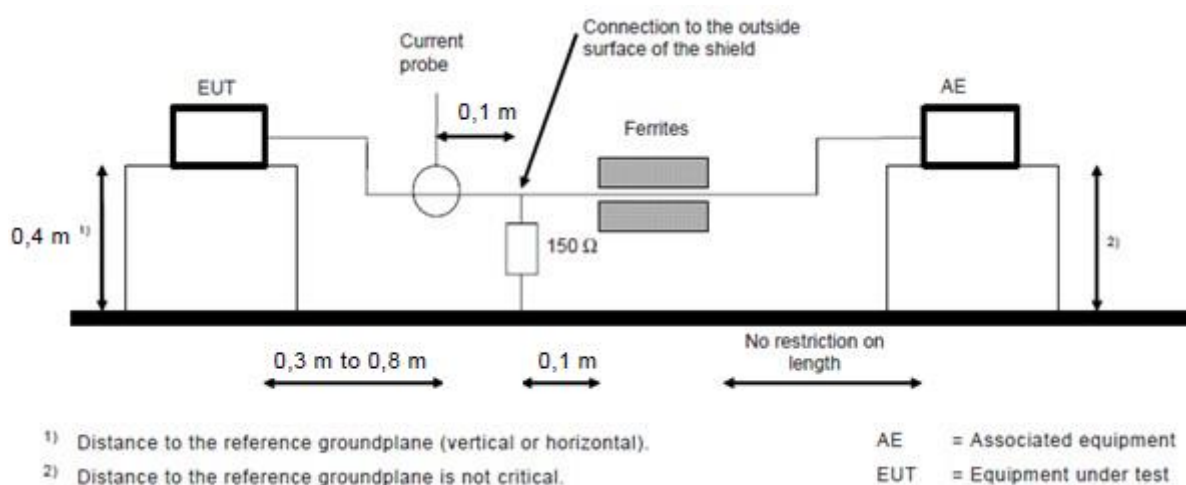


For the actual test configuration, please refer to the related Item – Photographs of the Test Configuration.

Method of Using a 150 Ω load to the outside surface of the shielding cable:

- Breaks the external protective insulation (exposing the shield) and connect a 150 Ω resistor from the outside surface of the shield to ground.
- A current probe shall be placed at 0.1 m from the 150 Ω resistor. The current probe to EUT horizontal distance is between 0.3 m to 0.8 m.
- If current measurement is used, measure current at the measurement port of the current probe, correct the reading by adding the current probe division factor, and compare to the current limit.
- It is not necessary to apply the voltage limit if a current probe is used.
- The test results of disturbance at telecommunication ports are recorded of six worst margins for quasi-peak (mandatory) [and average (if necessary)] values against the limits at frequencies of interest unless the margin is 20 dB or greater.

Note: The resolution bandwidth and video bandwidth of test receiver is 9kHz for quasi-peak detection (QP) and average detection (AV) at frequency 0.15MHz-30MHz.

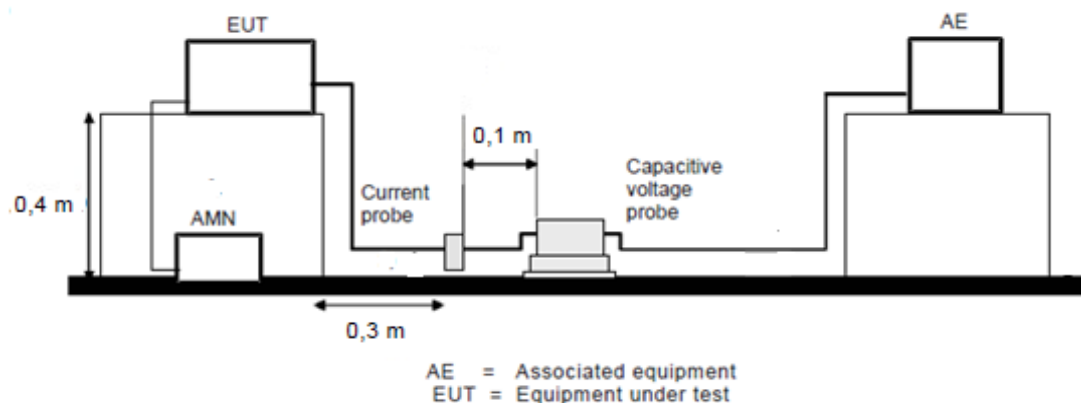


For the actual test configuration, please refer to the related Item – Photographs of the Test Configuration.

Method of Using a combination of current probe and capacitive voltage probe:

- a. Measure current with a current probe.
- b. Compare the measured current with the applicable current limit.
- c. Measure voltage with a capacitive voltage probe as specified in 5.2.2 of CISPR 16-1-2.
- d. Adjust the measured voltage as follows:
 - current margin ≤ 6 dB – subtract the actual current margin from measured voltage;
 - current margin > 6 dB – subtract 6 dB from measured voltage.
- e. Compare adjusted voltage with the applicable voltage limit
- f. Both the measured current and the adjusted voltage shall be below the applicable
- g. The test results of disturbance at telecommunication ports are recorded of six worst margins for quasi-peak (mandatory) [and average (if necessary)] values against the limits at frequencies of interest unless the margin is 20 dB or greater.

Note: The resolution bandwidth and video bandwidth of test receiver is 9kHz for quasi-peak detection (QP) and average detection (AV) at frequency 0.15MHz-30MHz.

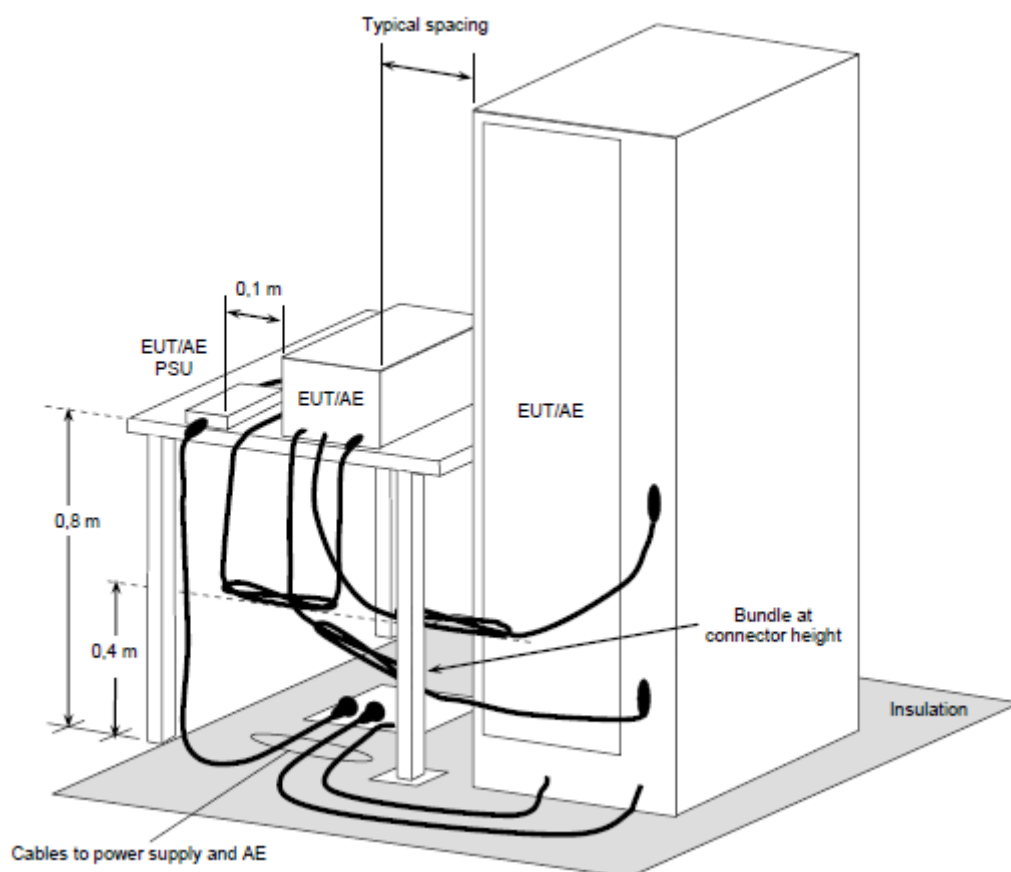


For the actual test configuration, please refer to the related Item – Photographs of the Test Configuration.

6.3 Radiated Emissions up to 1 GHz

- For the table-top EUT is placed on a 0.8 meter to the top of rotating table; for the floor standing EUT shall be insulated (by insulation of maximum thickness of 150 mm) from the horizontal reference ground plane. The rotating table is rotated 360 degrees to determine the position of the highest radiation. If the equipment requires a dedicated ground connection, this shall be provided and bonded to the RGP.
- The EUT is set 10 meters away from the interference-receiving antenna, which is mounted on the top of a variable-height antenna tower.
- The antenna is a broadband antenna, and its height is varied from one meter to four meters above the ground to determine the maximum value of the field strength. Both horizontal and vertical polarizations of the antenna are set to make the measurement.
- For each suspected emission, the EUT is arranged to its worst case and then the antenna is tuned to heights from 1 m to 4 m and the rotatable table was turned from 0 degrees to 360 degrees to find the maximum reading.
- The test-receiver system is set to quasi-peak detect function and specified bandwidth with maximum hold mode when the test frequency is up to 1 GHz.

Note: The resolution bandwidth and video bandwidth of test receiver/spectrum analyzer is 120kHz for quasi-peak detection (QP) at frequency up to 1GHz.

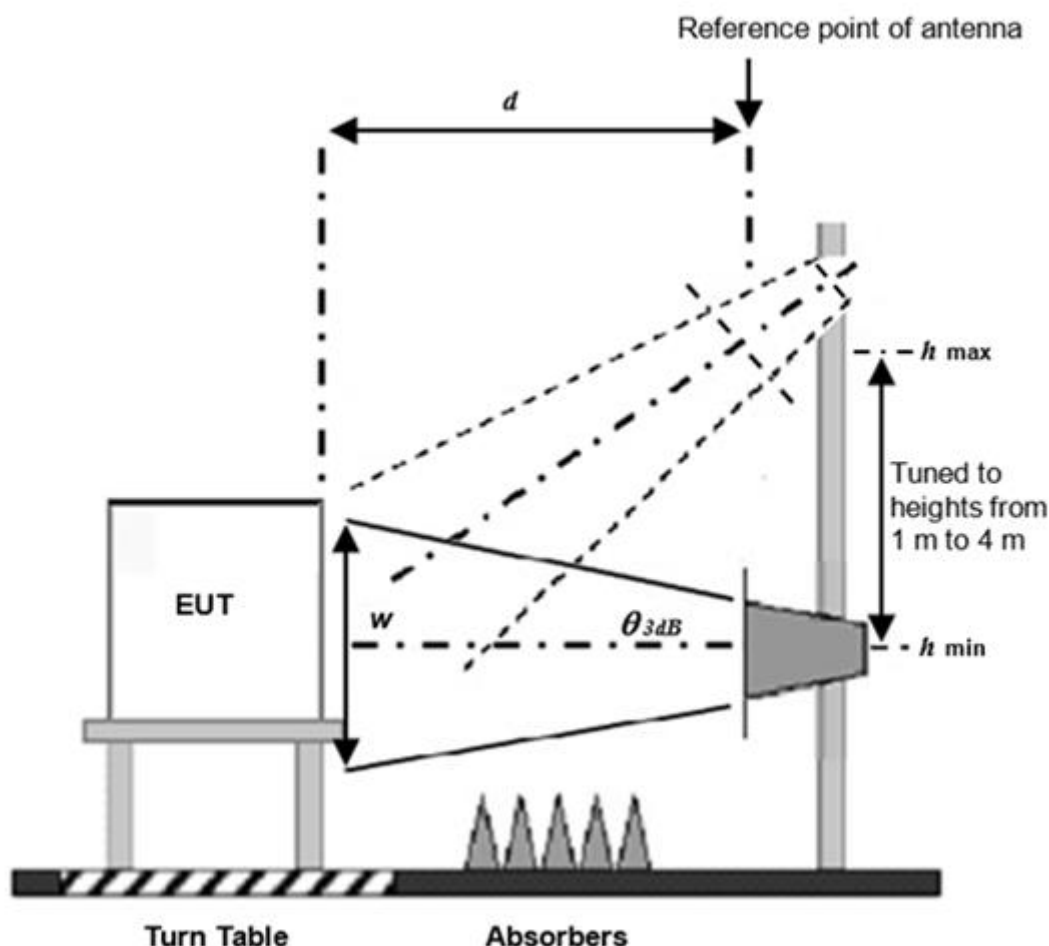


For the actual test configuration, please refer to the related Item – Photographs of the Test Configuration.

6.4 Radiated Emissions above 1 GHz

- For the table-top EUT is placed on a 0.8 meter to the top of rotating table; for the floor standing EUT shall be insulated (by insulation of 12 mm) from the horizontal reference ground plane. The rotating table is rotated 360 degrees to determine the position of the highest radiation. If the equipment requires a dedicated ground connection, this shall be provided and bonded to the RGP.
- The EUT was set $d = 3$ meters away from the interference-receiving antenna, which was mounted on the top of a variable-height antenna tower.
- The height of antenna can be varied from one meter to four meters, the height of adjustment depends on the EUT height and the antenna 3dB beamwidth both, to detect the maximum value of the field strength. Both horizontal and vertical polarizations of the antenna are set to make the measurement.
- For each suspected emission, the EUT was arranged to its worst case and then the antenna was tuned to heights and the rotatable table was turned from 0 degrees to 360 degrees to find the maximum reading.
- The spectrum analyzer system was set to peak and average detects function and specified bandwidth with maximum hold mode when the test frequency is above 1 GHz.

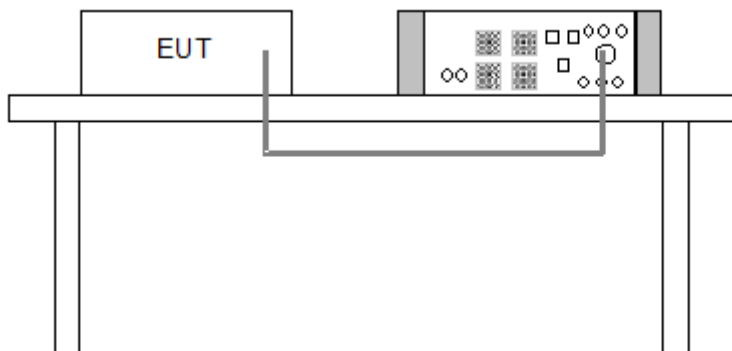
Note: The resolution bandwidth of test receiver/spectrum analyzer is 1MHz and video bandwidth is 3MHz for Peak detection (PK) at frequency above 1GHz. The resolution bandwidth of test receiver/spectrum analyzer is 1 MHz for Average detection (AV) at frequency above 1GHz.



For the actual test configuration, please refer to the related item – Photographs of the Test Configuration.

6.5 Harmonic Current Measurement

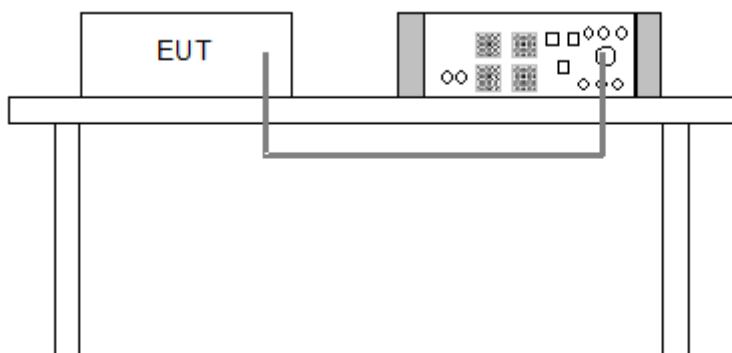
- The harmonic current limits apply to line currents and not to currents in the neutral conductor. Nevertheless, for single-phase equipment, it is permissible to measure the currents in the neutral conductor instead of the currents in the line.
- The EUT is tested as presented by, and in accordance with information provided by, the manufacturer. Preliminary operation of motor drives by the manufacturer may be needed before the tests are undertaken to ensure that results correspond with normal use.
- In all configurations, the use of additional load shall not cause the total output power available to be exceeded.
- The correspondent test program of test instrument to measure the current harmonics emanated from EUT is chosen. The measure time shall be not less than the time necessary for the EUT to be exercised.



For the actual test configuration, please refer to the related Item – Photographs of the Test Configuration.

6.6 Voltage Fluctuations and Flicker Measurement

- Controls or automatic programs of the EUT shall be set to produce the most unfavourable sequence of voltage changes, using only those combinations of controls and programmes which are mentioned by the manufacturer in the instruction manual, or are otherwise likely to be used.
- Preliminary operation of motor drives may be needed before the tests to ensure that results corresponding to those of normal use are obtained.
- During the flick measurement, the measure time shall include that part of whole operation cycle in which the EUT produce the most unfavorable sequence of voltage changes. The observation period for short-term flicker indicator is 10 minutes and the observation period for long-term flicker indicator is 2 hours.



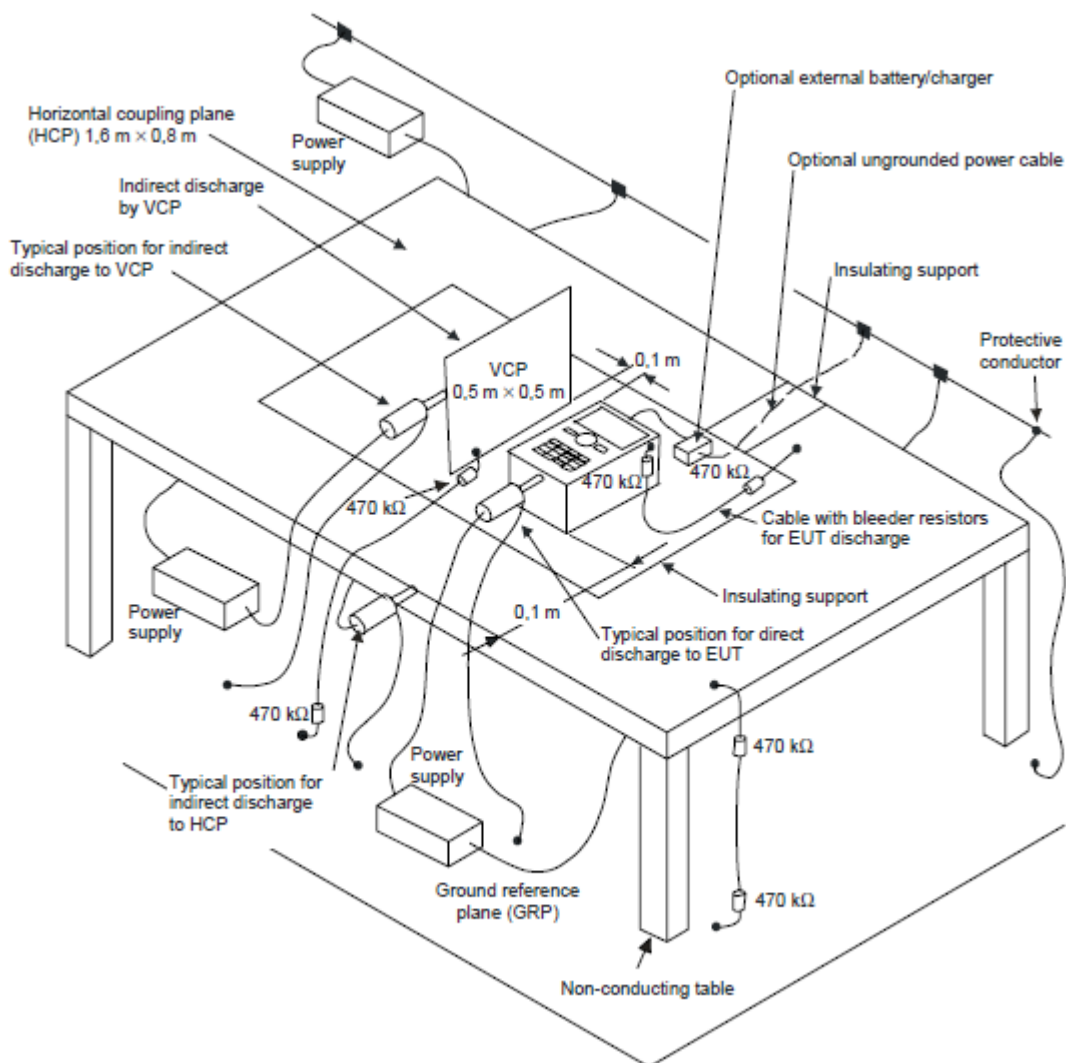
For the actual test configuration, please refer to the related Item – Photographs of the Test Configuration.

6.7 Electrostatic Discharges (ESD)

Discharge Impedance:	330 ohm / 150 pF
Number of Discharge:	Air – Direct: 10 discharges per location (each polarity) Contact – Direct & Indirect: 10 discharges per location (each polarity)
Discharge Period:	1-second minimum

The basic test procedure was in accordance with EN/IEC 61000-4-2:

- a. Electrostatic discharges were applied only to those points and surfaces of the EUT that are accessible to users during normal operation.
- b. The test was performed with at least ten single discharges on the pre-selected points in the most sensitive polarity.
- c. The time interval between two successive single discharges was at least 1 second.
- d. The ESD generator was held perpendicularly to the surface to which the discharge was applied and the return cable was at least 0.2 meters from the EUT.
- e. Contact discharges were applied to the non-insulating coating, with the pointed tip of the generator penetrating the coating and contacting the conducting substrate.
- f. Air discharges were applied with the round discharge tip of the discharge electrode approaching the EUT as fast as possible (without causing mechanical damage) to touch the EUT. After each discharge, the ESD generator was removed from the EUT and re-triggered for a new single discharge. The test was repeated until all discharges were complete.
- g. At least ten single discharges (in the most sensitive polarity) were applied to the **Horizontal Coupling Plane** at points on each side of the EUT. The ESD generator was positioned at a distance of 0.1 meters from the EUT with the discharge electrode touching the **HCP**.
- h. At least ten single discharges (in the most sensitive polarity) were applied to the center of one vertical edge of the **Vertical Coupling Plane** in sufficiently different positions that the four faces of the EUT were completely illuminated. The **VCP** (dimensions 0.5m x 0.5m) was placed vertically to and 0.1 meters from the EUT.



For the actual test configuration, please refer to the related item – Photographs of the Test Configuration.

NOTE:

TABLE-TOP EQUIPMENT

The configuration consisted of a wooden table 0.8 meters high standing on the **Ground Reference Plane**. The **GRP** consisted of a sheet of aluminum at least 0.25mm thick, and 2.5 meters square connected to the protective grounding system. A **Horizontal Coupling Plane** (1.6m x 0.8m) was placed on the table and attached to the **GRP** by means of a cable with 940kΩ total impedance. The equipment under test, was installed in a representative system as described in section 7 of EN/IEC 61000-4-2, and its cables were placed on the **HCP** and isolated by an insulating support of 0.5mm thickness. A distance of 1-meter minimum was provided between the EUT and the walls of the laboratory and any other metallic structure.

FLOOR-STANDING EQUIPMENT

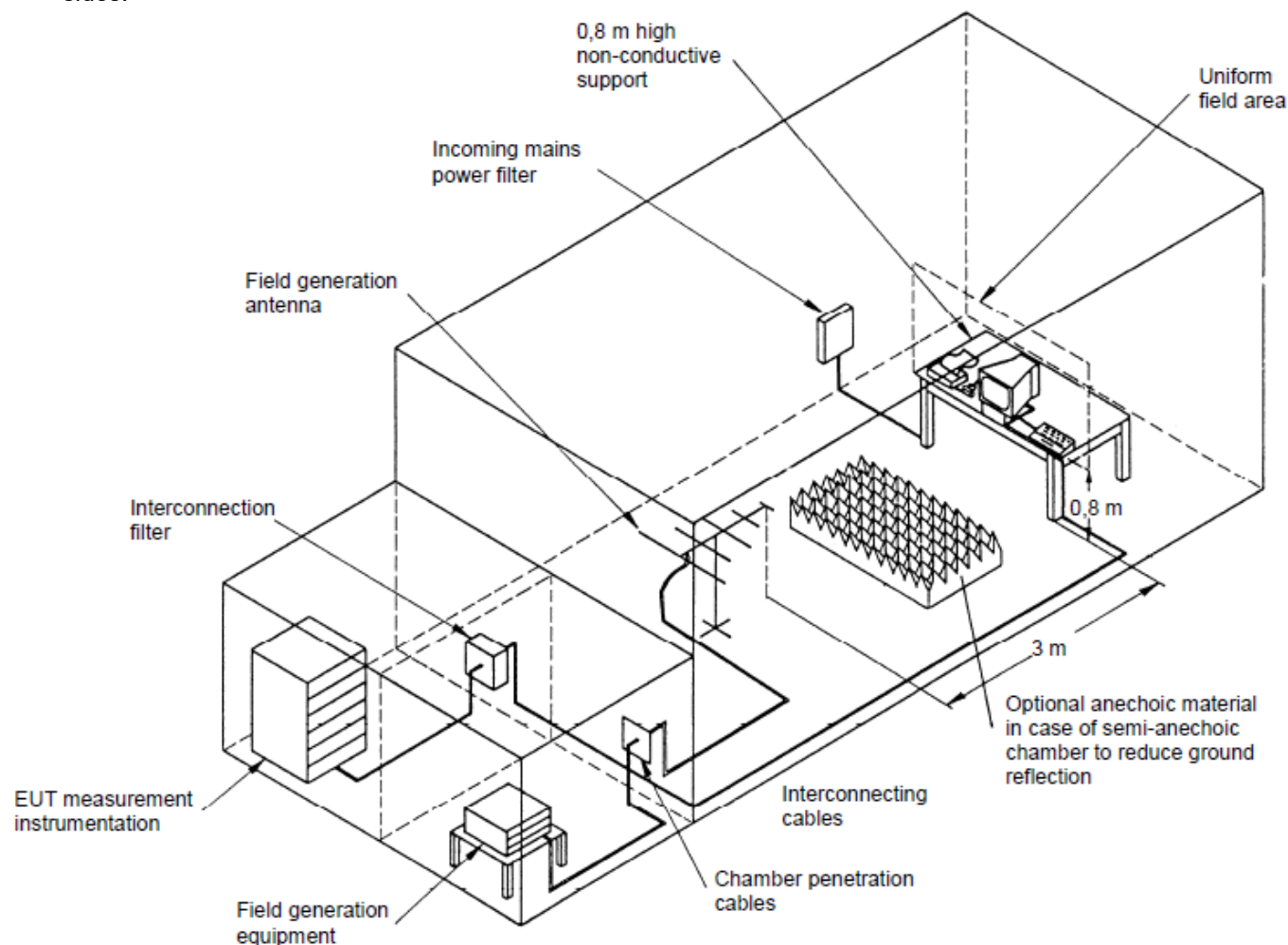
The equipment under test was installed in a representative system as described in section 7 of IEC 61000-4-2, and its cables were isolated from the Ground Reference Plane by an insulating support of 0.1-meter thickness. The GRP consisted of a sheet of aluminum that is at least 0.25mm thick, and 2.5 meters square connected to the protective grounding system and extended at least 0.5 m.

6.8 Radio Frequency Electromagnetic Field (RS)

Modulation:	1kHz Sine Wave, 80%, AM Modulation
Frequency Step:	1 % of preceding frequency value
Dwell Time:	3 seconds

The test procedure was in accordance with EN/IEC 61000-4-3.

- The testing was performed in a modified semi-anechoic chamber.
- The frequency range shall be swept, with the signal 80% amplitude modulated with a 1kHz sine wave.
- The test was performed with the EUT exposed to both vertically and horizontally polarized fields on each of the four sides.



For the actual test configuration, please refer to the related item – Photographs of the Test Configuration.

NOTE:

TABLETOP EQUIPMENT

The EUT installed in a representative system as described in section 7 of EN/IEC 61000-4-3 was placed on a non-conductive table 0.8 meters in height. The system under test was connected to the power and signal wire according to relevant installation instructions.

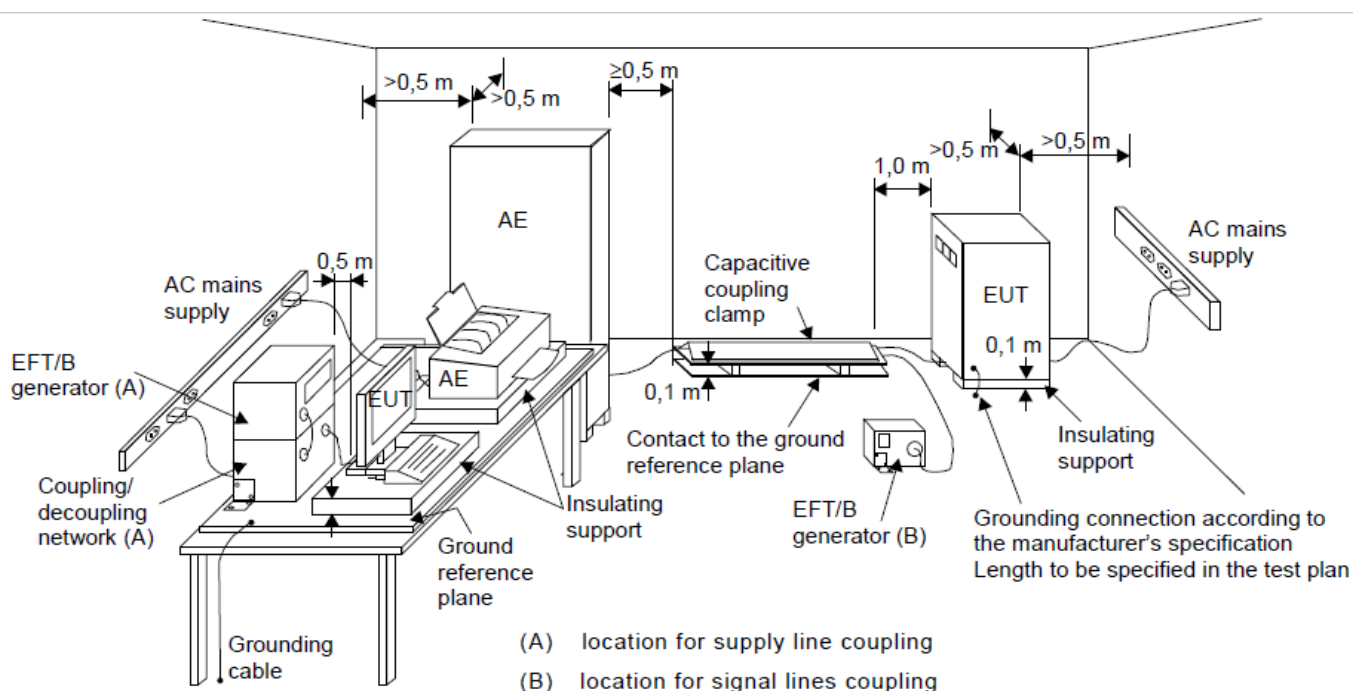
FLOOR STANDING EQUIPMENT

The EUT installed in a representative system as described in section 7 of EN/IEC 61000-4-3 was placed on a non-conductive wood support 0.1 meters in height. The system under test was connected to the power and signal wire according to relevant installation instructions.

6.9 Fast Transients Common Mode (EFT)

Impulse Repetition Frequency:	xDSL telecommunication port: 100kHz others: 5kHz
Impulse Wave Shape:	5/50 ns
Burst Duration:	0.75 ms for 100kHz Repetition Frequency 15 ms for 5kHz Repetition Frequency
Burst Period:	300 ms
Test Duration:	1 min.

- Both positive and negative polarity discharges were applied.
- The distance between any coupling devices and the EUT should be 0.5 m for table-top equipment testing, and 1.0 m for floor standing equipment.
- The duration time of each test sequential was 1 minute.
- The transient/burst waveform was in accordance with EN/IEC 61000-4-4, 5/50 ns.



For the actual test configuration, please refer to the related item – Photographs of the Test Configuration.

6.10 Surges

Wave-Shape:	Wired network ports (direct to outdoor cables): Symmetrically operated: 10/700 μ s Open Circuit Voltage 5/320 μ s Short Circuit Current Non-symmetrically operated: 1.2/50 μ s Open Circuit Voltage 8/20 μ s Short Circuit Current Shielded cables (direct to outdoor cables): 1.2/50 μ s Open Circuit Voltage 8/20 μ s Short Circuit Current Wired network ports (indoor cables, longer than 30m): 1.2/50 μ s Open Circuit Voltage 8/20 μ s Short Circuit Current Input DC power port (direct to outdoor cables): 1.2/50 μ s Open Circuit Voltage 8/20 μ s Short Circuit Current Input AC power port: 1.2/50 μ s Open Circuit Voltage 8/20 μ s Short Circuit Current
Pulse Repetition Rate:	20 sec.
Number of Tests:	5 positive and 5 negative at selected points

a. EUT Power ports:

The surge shall be applied to the EUT power supply terminals via the capacitive coupling network. Decoupling networks are required in order to avoid possible adverse effects on equipment not under test that may be powered by the same lines and to provide sufficient decoupling impedance to the surge wave. The power cord between the EUT and the coupling network shall not exceed 2 meters in length.

For double-insulated products without PE or external earth connections, the test shall be done in a similar way as for grounded products but without adding any additional external grounded connections. If there are no other possible connections to earth, line-to-ground tests may be omitted.

b. Wired network ports

- Unshielded unsymmetrical interconnection lines:

The coupling / decoupling networks shall not influence the specified functional conditions of the EUT. The interconnection line between the EUT and the coupling network shall not exceed 2 meters in length.

No line-to-ground surges are applied for double-insulated products (i.e. products without any dedicated earth terminal).

- Unshielded symmetrical interconnection lines:

For symmetrical interconnection lines and high-speed interconnection lines, the CDN shall be selected to match the number of lines/pairs existing the cable. If coupling arrestors are use, test levels below the ignition point of the coupling arrestor cannot be specified.

The interconnection line between the EUT and the coupling/decoupling networks shall not exceed 2 meters in length.

In order to avoid the coupling and decoupling capacitors having a filtering effect on the data transfer, a balanced high frequency design associating the coupling capacitors with coupling chokes is required. Where normal functioning of high speed communications lines cannot be achieved because of the impact of the CDN on the EUT, product committees should specify appropriate operation or that no surge immunity test is required.

- Shielded lines:

The EUT is isolated from ground and the surge is applied to its metallic enclosure; the termination (or auxiliary equipment) at the port(s) under test is grounded. This test applies to equipment with one or more shielded cables.

The length of the cable between the port(s) under test and the device attached to the other end of the cable (AE in Figure 12) shall be:

- 20 m (preferred length) or,
- the shortest length over 10 m, where the manufacturer provides pre-assembled cables used in actual installations.

No test shall be required for cables which according to the manufacturer's specification are ≤ 10 m.

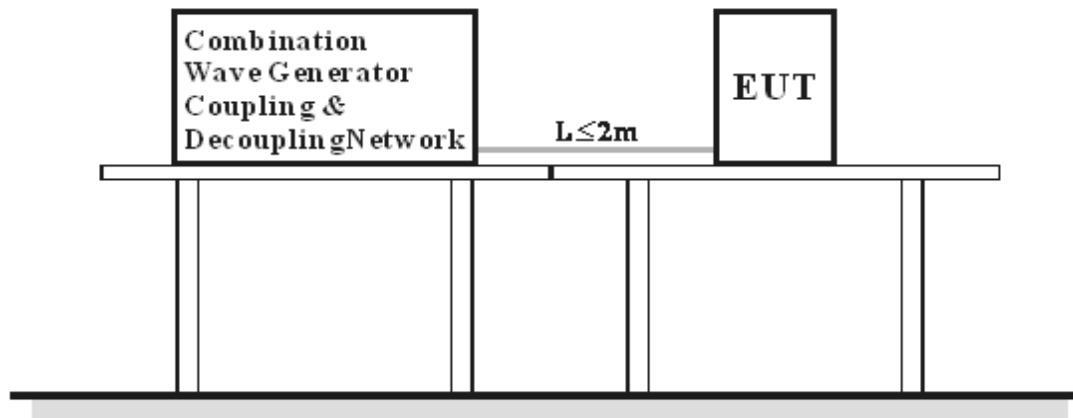
Rules for application of the surge to shielded lines:

- a) Shields grounded at both ends:
– the test shall be carried out.

The test level is applied on shields with a 2 Ω generator source impedance and with the 18 μ F capacitor.

- b) Shields grounded at one end:
– the test shall be carried out according to unshielded unsymmetrical interconnection lines or unshielded symmetrical interconnection lines because the shield does not provide any protection against surges induced by magnetic fields.

For EUTs which do not have metallic enclosures, the surge is applied directly to the shielded cable at the EUT side.

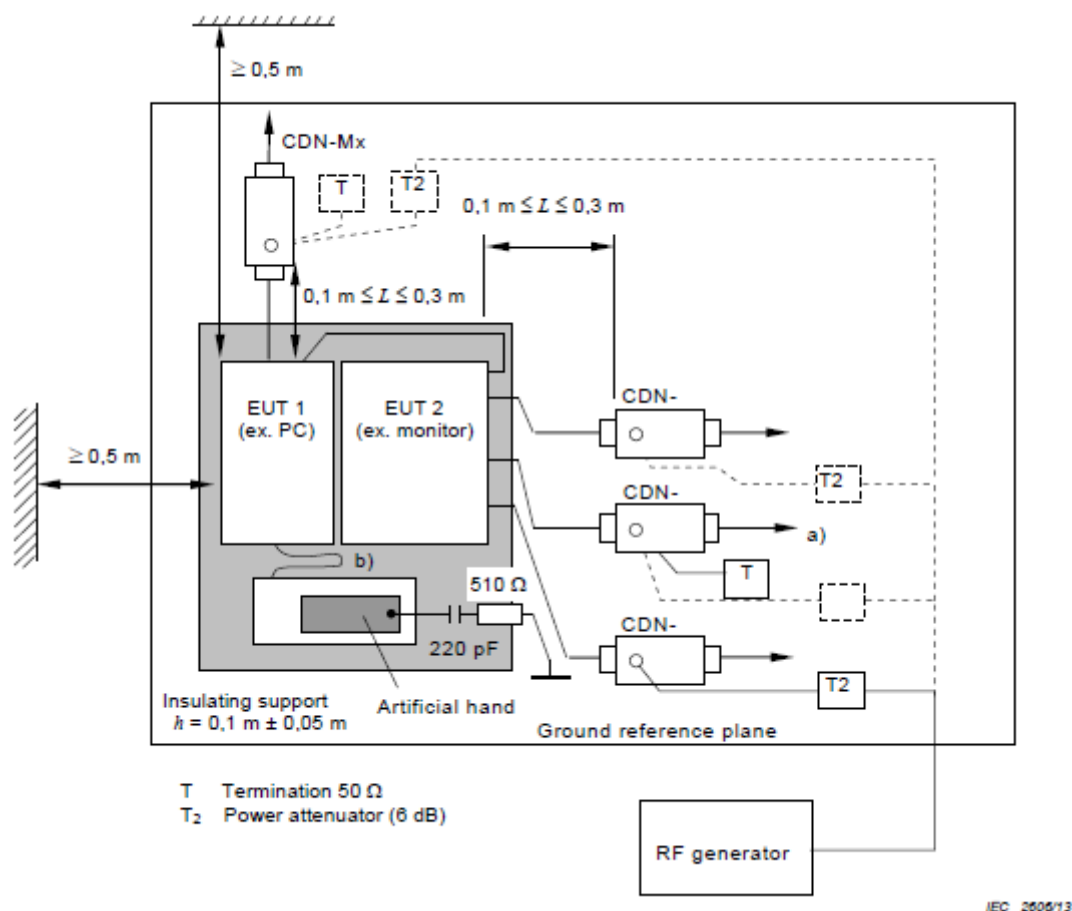


For the actual test configuration, please refer to the related item – Photographs of the Test Configuration.

6.11 Radio Frequency Common Mode (CS)

Modulation:	1kHz Sine Wave, 80%, AM Modulation
Frequency Step:	1 % of preceding frequency value
Dwell Time	3 seconds

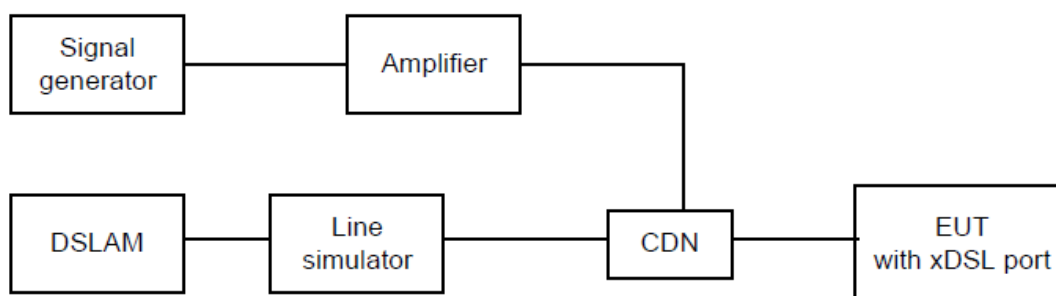
- The EUT shall be tested within its intended operating and climatic conditions.
- An artificial hand was placed on the hand-held accessory and connected to the ground reference plane.
- One of the CDNs not used for injection was terminated with 50 ohm, providing only one return path. All other CDNs were coupled as decoupling networks.
- The frequency range shall be swept, using the signal level established during the setting process and with a disturbance signal of 80 % amplitude. The signal is modulated with a 1 kHz sine wave, pausing to adjust the RF signal level or the switch coupling devices as necessary. Where the frequency is swept incrementally, the step size shall not exceed 1 % of the preceding frequency value.
- Attempts should be made to fully exercise the EUT during testing, and to fully interrogate all exercise modes selected for susceptibility.



- Note:**
- The EUT clearance from any metallic obstacles shall be at least 0,5 m.
 - Interconnecting cables (≤ 1 m) belonging to the EUT shall remain on the insulating support.
- For the actual test configuration, please refer to the related item – Photographs of the Test Configuration.

Broadband impulse noise disturbances, Repetitive and Isolated (Applicable only to xDSL ports.)

- a. The EUT shall be tested within its intended operating and climatic conditions.
- b. An artificial hand was placed on the hand-held accessory and connected to the ground reference plane.
- c. One of the CDNs not used for injection was terminated with 50 ohm, providing only one return path. All other CDNs were coupled as decoupling networks.
- d. For the repetitive impulse test the disturbance shall be applied for a period of at least 2 minutes for each port under test.
- e. For the isolated impulse test a minimum of 5 isolated impulses shall be applied with an interval of at least 60 seconds between successive impulses.
- f. Attempts should be made to fully exercise the EUT during testing, and to fully interrogate all exercise modes selected for susceptibility.



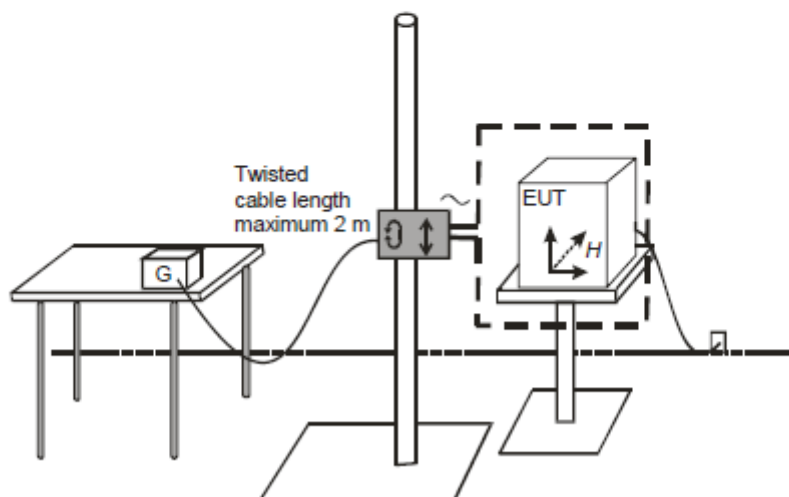
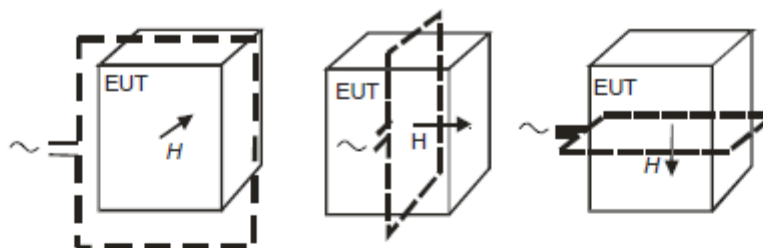
Example schematic of the broadband impulsive conducted disturbances test setup

For the actual test configuration, please refer to the related item – Photographs of the Test Configuration.

6.12 Power Frequency Magnetic Field (PFMF)

Observation Time:	1 minute
Inductance Coil:	Rectangular coil, 1 m x 1 m (L x W) or 2.6 m x 1 m (L x W)

- The equipment is configured and connected to satisfy its functional requirements.
- The power supply, input and output circuits shall be connected to the sources of power supply, control and signal.
- The cables supplied or recommended by the equipment manufacturer shall be used. 1 meter of all cables used shall be exposed to the magnetic field.

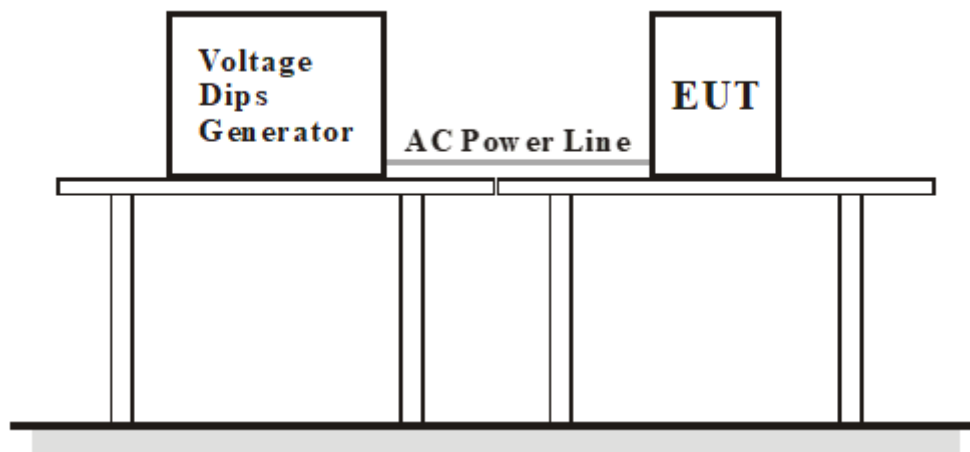


For the actual test configuration, please refer to the related item – Photographs of the Test Configuration.

6.13 Voltage Dips and Interruptions (DIP)

Interval between Event:	10 seconds
Sync Angle (degrees):	0° / 180°
Test Cycle:	3 times

- a. The test shall be performed with the EUT connected to the test generator with the shortest power supply cable as specified by the EUT manufacturer. If no cable length is specified, it shall be the shortest possible length suitable to the application of the EUT.
- b. The EUT shall be tested for each selected combination of test levels and duration with a sequence of 3 dips/interruptions with intervals of 10 s minimum (between each test event). Each representative mode of operation shall be tested. Abrupt changes in supply voltage shall occur at 0 voltage crossover point of the voltage waveform.



For the actual test configuration, please refer to the related item – Photographs of the Test Configuration.

7 Test Results of Test Item

7.1 Conducted Emissions from Power Ports

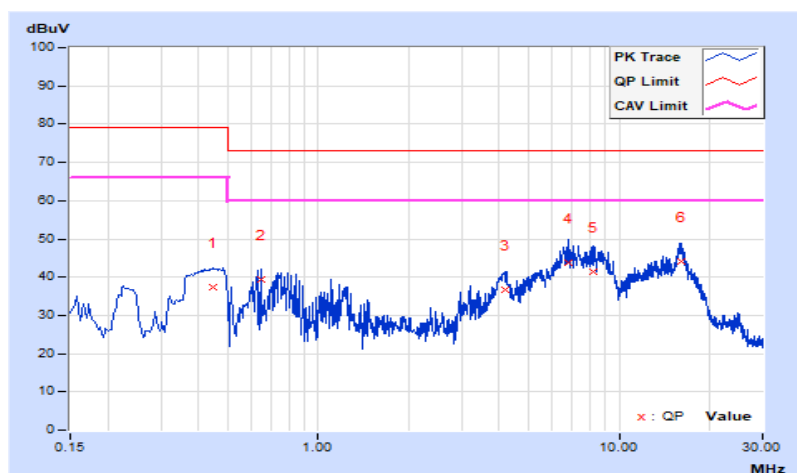
Mode A

Frequency Range	150 kHz ~ 30 MHz	Detector Function & Resolution Bandwidth	Quasi-Peak (QP) / Average (AV), 9kHz
Input Power	110 Vac, 60 Hz	Environmental Conditions	25°C, 72% RH
Tested by	Chin-Wen Wang		

Phase Of Power : Line (L)										
No	Frequency (MHz)	Correction Factor (dB)	Reading Value (dBuV)		Emission Level (dBuV)		Limit (dBuV)		Margin (dB)	
			Q.P.	AV.	Q.P.	AV.	Q.P.	AV.	Q.P.	AV.
1	0.44626	9.95	27.59	9.96	37.54	19.91	79.00	66.00	-41.46	-46.09
2	0.64471	9.97	29.36	9.26	39.33	19.23	73.00	60.00	-33.67	-40.77
3	4.17896	10.22	26.52	20.44	36.74	30.66	73.00	60.00	-36.26	-29.34
4	6.79906	10.46	33.39	23.85	43.85	34.31	73.00	60.00	-29.15	-25.69
5	8.18746	10.58	30.96	20.73	41.54	31.31	73.00	60.00	-31.46	-28.69
6	16.02511	11.55	32.68	24.51	44.23	36.06	73.00	60.00	-28.77	-23.94

Remarks:

1. Q.P. and AV. are abbreviations of quasi-peak and average individually.
2. The emission levels of other frequencies were very low against the limit.
3. Margin value = Emission level – Limit value
4. Correction factor = Insertion loss + Cable loss
5. Emission Level = Correction Factor + Reading Value

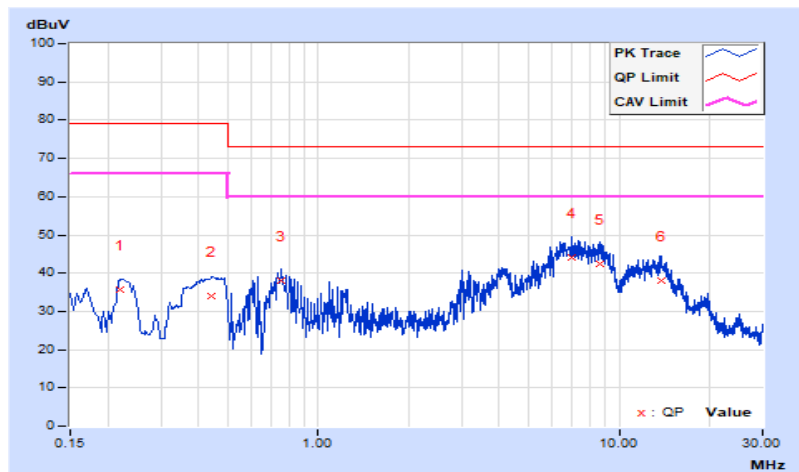


Frequency Range	150 kHz ~ 30 MHz	Detector Function & Resolution Bandwidth	Quasi-Peak (QP) / Average (AV), 9kHz
Input Power	110 Vac, 60 Hz	Environmental Conditions	25°C, 72% RH
Tested by	Chin-Wen Wang		

Phase Of Power : Neutral (N)										
No	Frequency (MHz)	Correction Factor (dB)	Reading Value (dBuV)		Emission Level (dBuV)		Limit (dBuV)		Margin (dB)	
			Q.P.	AV.	Q.P.	AV.	Q.P.	AV.	Q.P.	AV.
1	0.21966	9.96	25.57	10.83	35.53	20.79	79.00	66.00	-43.47	-45.21
2	0.44274	10.01	24.16	7.99	34.17	18.00	79.00	66.00	-44.83	-48.00
3	0.75030	10.03	28.04	12.16	38.07	22.19	73.00	60.00	-34.93	-37.81
4	6.93203	10.49	33.68	23.22	44.17	33.71	73.00	60.00	-28.83	-26.29
5	8.66852	10.64	31.87	21.19	42.51	31.83	73.00	60.00	-30.49	-28.17
6	13.83886	11.23	26.77	16.88	38.00	28.11	73.00	60.00	-35.00	-31.89

Remarks:

1. Q.P. and AV. are abbreviations of quasi-peak and average individually.
2. The emission levels of other frequencies were very low against the limit.
3. Margin value = Emission level – Limit value
4. Correction factor = Insertion loss + Cable loss
5. Emission Level = Correction Factor + Reading Value



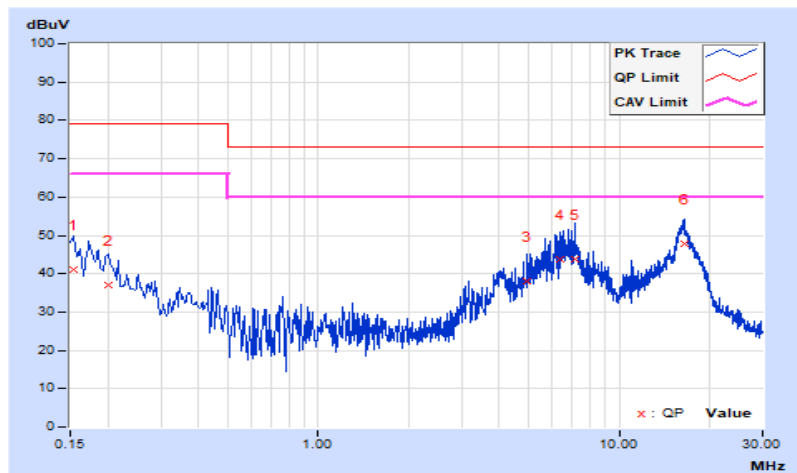
Mode B

Frequency Range	150 kHz ~ 30 MHz	Detector Function & Resolution Bandwidth	Quasi-Peak (QP) / Average (AV), 9kHz
Input Power	230 Vac, 50 Hz	Environmental Conditions	25°C, 72% RH
Tested by	Chin-Wen Wang		

Phase Of Power : Line (L)										
No	Frequency (MHz)	Correction Factor (dB)	Reading Value (dBuV)		Emission Level (dBuV)		Limit (dBuV)		Margin (dB)	
			Q.P.	AV.	Q.P.	AV.	Q.P.	AV.	Q.P.	AV.
1	0.15391	9.89	31.03	11.76	40.92	21.65	79.00	66.00	-38.08	-44.35
2	0.20084	9.90	27.23	12.48	37.13	22.38	79.00	66.00	-41.87	-43.62
3	4.92357	10.28	27.76	17.75	38.04	28.03	73.00	60.00	-34.96	-31.97
4	6.33756	10.41	33.48	22.62	43.89	33.03	73.00	60.00	-29.11	-26.97
5	7.13541	10.49	33.25	22.87	43.74	33.36	73.00	60.00	-29.26	-26.64
6	16.53745	11.61	36.25	28.19	47.86	39.80	73.00	60.00	-25.14	-20.20

Remarks:

1. Q.P. and AV. are abbreviations of quasi-peak and average individually.
2. The emission levels of other frequencies were very low against the limit.
3. Margin value = Emission level – Limit value
4. Correction factor = Insertion loss + Cable loss
5. Emission Level = Correction Factor + Reading Value

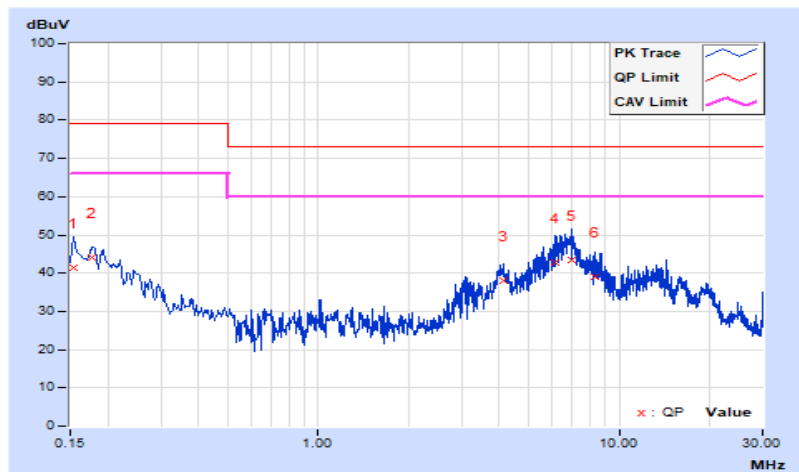


Frequency Range	150 kHz ~ 30 MHz	Detector Function & Resolution Bandwidth	Quasi-Peak (QP) / Average (AV), 9kHz
Input Power	230 Vac, 50 Hz	Environmental Conditions	25°C, 72% RH
Tested by	Chin-Wen Wang		

Phase Of Power : Neutral (N)										
No	Frequency (MHz)	Correction Factor (dB)	Reading Value (dBuV)		Emission Level (dBuV)		Limit (dBuV)		Margin (dB)	
			Q.P.	AV.	Q.P.	AV.	Q.P.	AV.	Q.P.	AV.
1	0.15391	9.96	31.57	11.81	41.53	21.77	79.00	66.00	-37.47	-44.23
2	0.17698	9.96	34.23	19.23	44.19	29.19	79.00	66.00	-34.81	-36.81
3	4.14761	10.26	27.67	21.90	37.93	32.16	73.00	60.00	-35.07	-27.84
4	6.15766	10.43	32.19	20.83	42.62	31.26	73.00	60.00	-30.38	-28.74
5	6.94377	10.50	32.98	22.67	43.48	33.17	73.00	60.00	-29.52	-26.83
6	8.31653	10.61	28.61	18.59	39.22	29.20	73.00	60.00	-33.78	-30.80

Remarks:

1. Q.P. and AV. are abbreviations of quasi-peak and average individually.
2. The emission levels of other frequencies were very low against the limit.
3. Margin value = Emission level – Limit value
4. Correction factor = Insertion loss + Cable loss
5. Emission Level = Correction Factor + Reading Value



7.2 Conducted Emissions from Wired Network Ports

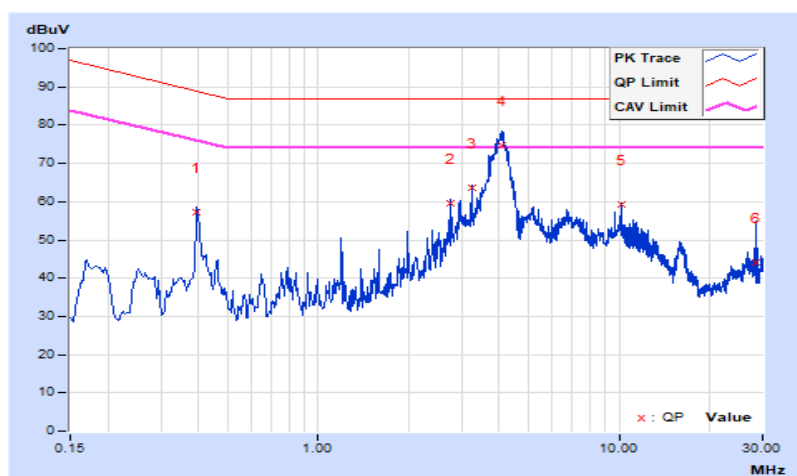
Mode A

Frequency Range	150 kHz ~ 30 MHz	Detector Function & Resolution Bandwidth	Quasi-Peak (QP) / Average (AV), 9kHz
Input Power	230 Vac, 50 Hz	Environmental Conditions	25°C, 72% RH
Tested by	Chin-Wen Wang		

No	Frequency (MHz)	Correction Factor (dB)	Reading Value (dBuV)		Emission Level (dBuV)		Limit (dBuV)		Margin (dB)	
			Q.P.	AV.	Q.P.	AV.	Q.P.	AV.	Q.P.	AV.
1	0.39636	9.76	47.50	47.15	57.26	56.91	88.93	75.93	-31.67	-19.02
2	2.76812	9.78	49.79	48.95	59.57	58.73	87.00	74.00	-27.43	-15.27
3	3.23057	9.80	53.95	52.69	63.75	62.49	87.00	74.00	-23.25	-11.51
4	4.07707	9.83	64.97	59.34	74.80	69.17	87.00	74.00	-12.20	-4.83
5	10.15204	10.01	49.34	47.78	59.35	57.79	87.00	74.00	-27.65	-16.21
6	28.50511	10.33	33.75	20.91	44.08	31.24	87.00	74.00	-42.92	-42.76

Remarks:

1. Q.P. and AV. are abbreviations of quasi-peak and average individually.
2. The emission levels of other frequencies were very low against the limit.
3. Margin value = Emission level – Limit value
4. Correction factor = Insertion loss + Cable loss
5. Emission Level = Correction Factor + Reading Value



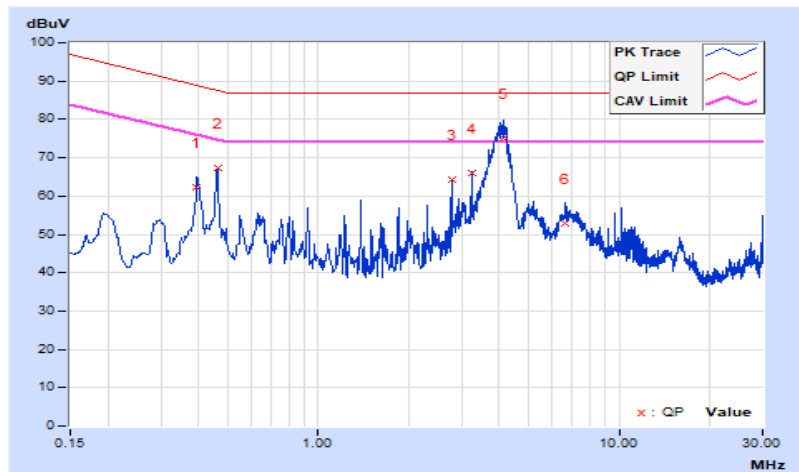
Mode B

Frequency Range	150 kHz ~ 30 MHz	Detector Function & Resolution Bandwidth	Quasi-Peak (QP) / Average (AV), 9kHz
Input Power	230 Vac, 50 Hz	Environmental Conditions	25°C, 72% RH
Tested by	Chin-Wen Wang		

No	Frequency (MHz)	Correction Factor (dB)	Reading Value (dBuV)		Emission Level (dBuV)		Limit (dBuV)		Margin (dB)	
			Q.P.	AV.	Q.P.	AV.	Q.P.	AV.	Q.P.	AV.
1	0.39636	9.76	52.67	51.56	62.43	61.32	88.93	75.93	-26.50	-14.61
2	0.46288	9.76	57.50	57.15	67.26	66.91	87.64	74.64	-20.38	-7.73
3	2.77088	9.78	54.41	53.96	64.19	63.74	87.00	74.00	-22.81	-10.26
4	3.23057	9.80	56.30	55.46	66.10	65.26	87.00	74.00	-20.90	-8.74
5	4.14761	9.83	65.20	59.45	75.03	69.28	87.00	74.00	-11.97	-4.72
6	6.61915	9.90	42.89	37.23	52.79	47.13	87.00	74.00	-34.21	-26.87

Remarks:

1. Q.P. and AV. are abbreviations of quasi-peak and average individually.
2. The emission levels of other frequencies were very low against the limit.
3. Margin value = Emission level – Limit value
4. Correction factor = Insertion loss + Cable loss
5. Emission Level = Correction Factor + Reading Value



7.3 Radiated Emissions up to 1 GHz

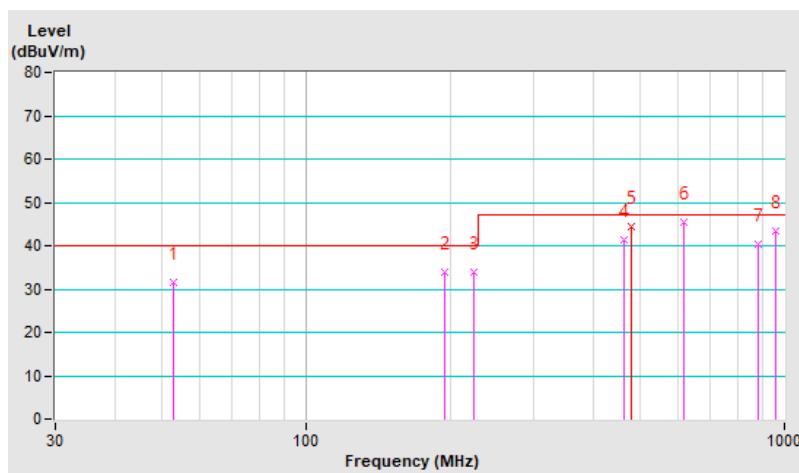
Mode A

Frequency Range	30 MHz ~ 1 GHz	Detector Function & Resolution Bandwidth	Quasi-Peak (QP), 120 kHz
Input Power	230 Vac, 50 Hz	Environmental Conditions	28°C, 62% RH
Tested By	Ed Lin		

Antenna Polarity & Test Distance : Horizontal at 10 m								
No	Frequency (MHz)	Emission Level (dBuV/m)	Limit (dBuV/m)	Margin (dB)	Antenna Height (m)	Table Angle (Degree)	Raw Value (dBuV)	Correction Factor (dB/m)
1	52.86	31.54 QP	40.00	-8.46	4.00 H	4	40.00	-8.46
2	194.56	33.75 QP	40.00	-6.25	4.00 H	218	44.46	-10.71
3	225.01	33.88 QP	40.00	-6.12	4.00 H	128	44.32	-10.44
4	462.21	41.52 QP	47.00	-5.48	1.97 H	148	43.69	-2.17
5	480.01	44.57 QP	47.00	-2.43	1.74 H	196	46.55	-1.98
6	616.01	45.28 QP	47.00	-1.72	1.41 H	26	43.74	1.54
7	880.01	40.23 QP	47.00	-6.77	1.08 H	20	32.99	7.24
8	960.21	43.36 QP	47.00	-3.64	1.02 H	175	34.50	8.86

Remarks:

1. Emission Level(dBuV/m) = Raw Value(dBuV) + Correction Factor(dB/m)
2. Correction Factor(dB/m) = Antenna Factor (dB/m) + Cable Factor (dB)
– Pre-Amplifier Factor (dB)
3. Margin value = Emission level – Limit value
4. The other emission levels were very low against the limit.

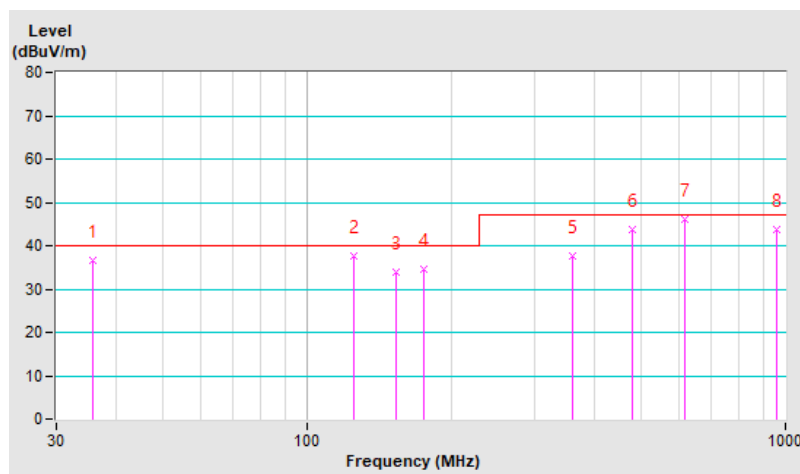


Frequency Range	30 MHz ~ 1 GHz	Detector Function & Resolution Bandwidth	Quasi-Peak (QP), 120 kHz
Input Power	230 Vac, 50 Hz	Environmental Conditions	28°C, 62% RH
Tested By	Ed Lin		

Antenna Polarity & Test Distance : Vertical at 10 m								
No	Frequency (MHz)	Emission Level (dBuV/m)	Limit (dBuV/m)	Margin (dB)	Antenna Height (m)	Table Angle (Degree)	Raw Value (dBuV)	Correction Factor (dB/m)
1	35.84	36.57 QP	40.00	-3.43	1.08 V	193	46.20	-9.63
2	125.01	37.52 QP	40.00	-2.48	1.00 V	183	47.34	-9.82
3	154.20	33.85 QP	40.00	-6.15	1.00 V	216	41.58	-7.73
4	175.10	34.74 QP	40.00	-5.26	1.00 V	282	43.33	-8.59
5	360.41	37.75 QP	47.00	-9.25	1.00 V	218	42.52	-4.77
6	480.01	43.85 QP	47.00	-3.15	1.00 V	228	45.83	-1.98
7	616.01	46.04 QP	47.00	-0.96	1.95 V	112	44.50	1.54
8	960.21	43.89 QP	47.00	-3.11	2.67 V	278	35.03	8.86

Remarks:

1. Emission Level(dBuV/m) = Raw Value(dBuV) + Correction Factor(dB/m)
2. Correction Factor(dB/m) = Antenna Factor (dB/m) + Cable Factor (dB) – Pre-Amplifier Factor (dB)
3. Margin value = Emission level – Limit value
4. The other emission levels were very low against the limit.



7.4 Radiated Emissions above 1 GHz

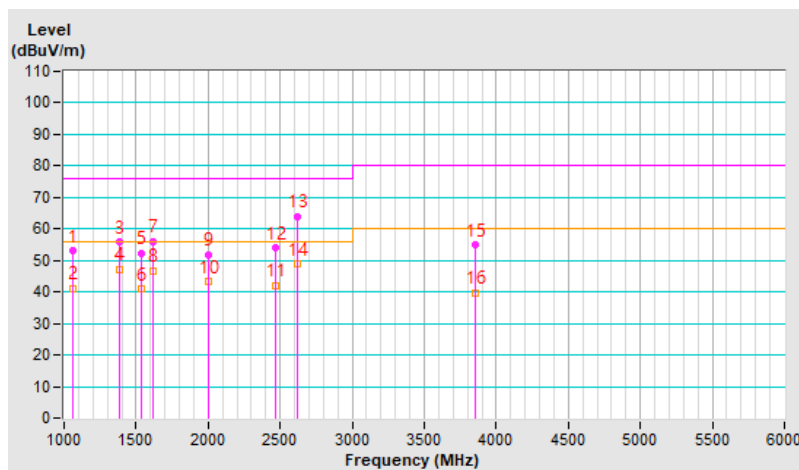
Mode A

Frequency Range	1 GHz ~ 5.5 GHz	Detector Function & Resolution Bandwidth	Peak (PK) / Average (AV), 1MHz
Input Power	230 Vac, 50 Hz	Environmental Conditions	27°C, 67% RH
Tested By	Abraham Sun		

Antenna Polarity & Test Distance : Horizontal at 3 m								
No	Frequency (MHz)	Emission Level (dBuV/m)	Limit (dBuV/m)	Margin (dB)	Antenna Height (m)	Table Angle (Degree)	Raw Value (dBuV)	Correction Factor (dB/m)
1	1056.77	53.01 PK	76.00	-22.99	1.84 H	228	58.00	-4.99
2	1056.77	41.09 AV	56.00	-14.91	1.84 H	228	46.08	-4.99
3	1386.06	55.81 PK	76.00	-20.19	1.79 H	333	59.33	-3.52
4	1386.06	47.13 AV	56.00	-8.87	1.79 H	333	50.65	-3.52
5	1539.99	52.18 PK	76.00	-23.82	1.36 H	111	54.97	-2.79
6	1539.99	40.79 AV	56.00	-15.21	1.36 H	111	43.58	-2.79
7	1617.01	55.99 PK	76.00	-20.01	1.06 H	150	58.43	-2.44
8	1617.01	46.53 AV	56.00	-9.47	1.06 H	150	48.97	-2.44
9	2002.32	51.71 PK	76.00	-24.29	1.17 H	271	52.73	-1.02
10	2002.32	43.17 AV	56.00	-12.83	1.17 H	271	44.19	-1.02
11	2463.78	41.93 AV	56.00	-14.07	1.00 H	322	41.53	0.40
12	2463.80	53.90 PK	76.00	-22.10	1.00 H	322	53.50	0.40
13	2617.70	63.99 PK	76.00	-12.01	2.03 H	137	63.01	0.98
14	2617.70	48.75 AV	56.00	-7.25	2.03 H	137	47.77	0.98
15	3850.08	54.80 PK	80.00	-25.20	1.48 H	164	48.87	5.93
16	3850.08	39.61 AV	60.00	-20.39	1.48 H	164	33.68	5.93

Remarks:

1. Emission Level(dBuV/m) = Raw Value(dBuV) + Correction Factor(dB/m)
2. Correction Factor(dB/m) = Antenna Factor (dB/m) + Cable Factor (dB)
– Pre-Amplifier Factor (dB)
3. Margin value = Emission level – Limit value
4. The other emission levels were very low against the limit.

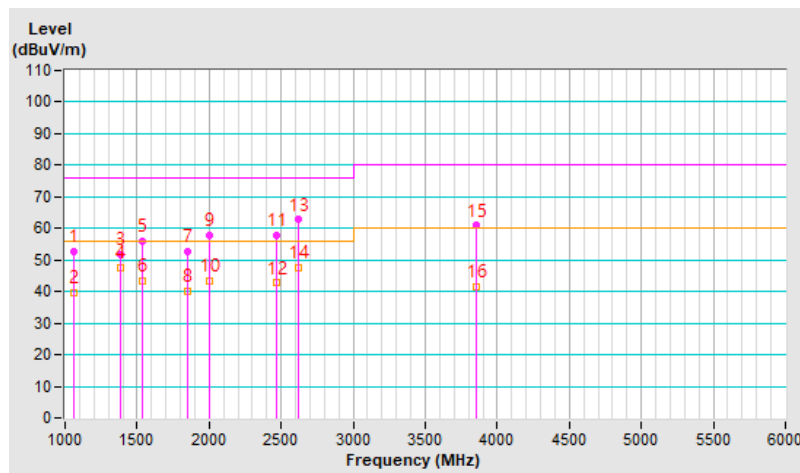


Frequency Range	1 GHz ~ 5.5 GHz	Detector Function & Resolution Bandwidth	Peak (PK) / Average (AV), 1MHz
Input Power	230 Vac, 50 Hz	Environmental Conditions	27°C, 67% RH
Tested By	Abraham Sun		

Antenna Polarity & Test Distance : Vertical at 3 m								
No	Frequency (MHz)	Emission Level (dBuV/m)	Limit (dBuV/m)	Margin (dB)	Antenna Height (m)	Table Angle (Degree)	Raw Value (dBuV)	Correction Factor (dB/m)
1	1055.98	52.67 PK	76.00	-23.33	1.17 V	195	57.66	-4.99
2	1055.98	39.77 AV	56.00	-16.23	1.17 V	195	44.76	-4.99
3	1385.91	51.65 PK	76.00	-24.35	1.54 V	152	55.17	-3.52
4	1385.91	47.56 AV	56.00	-8.44	1.54 V	152	51.08	-3.52
5	1539.93	55.99 PK	76.00	-20.01	1.47 V	360	58.78	-2.79
6	1539.93	43.45 AV	56.00	-12.55	1.47 V	360	46.24	-2.79
7	1847.88	52.80 PK	76.00	-23.20	1.62 V	121	54.33	-1.53
8	1847.88	40.07 AV	56.00	-15.93	1.62 V	121	41.60	-1.53
9	2002.20	58.01 PK	76.00	-17.99	1.15 V	130	59.03	-1.02
10	2002.20	43.54 AV	56.00	-12.46	1.15 V	130	44.56	-1.02
11	2463.99	57.88 PK	76.00	-18.12	1.18 V	216	57.48	0.40
12	2463.99	42.65 AV	56.00	-13.35	1.18 V	216	42.25	0.40
13	2617.73	62.70 PK	76.00	-13.30	1.00 V	135	61.72	0.98
14	2617.73	47.72 AV	56.00	-8.28	1.00 V	135	46.74	0.98
15	3850.42	60.92 PK	80.00	-19.08	1.91 V	225	54.99	5.93
16	3850.42	41.50 AV	60.00	-18.50	1.91 V	225	35.57	5.93

Remarks:

1. Emission Level(dBuV/m) = Raw Value(dBuV) + Correction Factor(dB/m)
2. Correction Factor(dB/m) = Antenna Factor (dB/m) + Cable Factor (dB) – Pre-Amplifier Factor (dB)
3. Margin value = Emission level – Limit value
4. The other emission levels were very low against the limit.



7.5 Harmonic Current Measurement

Mode A

Test Duration	5 min	Fundamental Voltage / Ampere	230.16 Vrms / 0.773 Arms
Power Consumption	164.1 W	Power Frequency	50 Hz
Power Factor	0.937	Environmental Conditions	24°C, 75% RH
Tested By	Kent Wang		

Harm#	Harms (avg) (A)	100% Limit (A)	Harms (max) (A)	150% Limit (A)
1	0.722	-	1.419	-
2	0.002	1.080	0.003	1.620
3	0.227	2.300	0.239	3.450
4	0.001	0.430	0.002	0.645
5	0.031	1.140	0.038	1.710
6	0.001	0.300	0.002	0.450
7	0.016	0.770	0.021	1.155
8	0.001	0.230	0.002	0.345
9	0.015	0.400	0.019	0.600
10	0.001	0.184	0.001	0.276
11	0.006	0.330	0.007	0.495
12	0.001	0.153	0.001	0.230
13	0.010	0.210	0.010	0.315
14	0.001	0.131	0.001	0.197
15	0.007	0.150	0.008	0.225
16	0.001	0.115	0.001	0.173
17	0.006	0.132	0.008	0.198
18	0.001	0.102	0.002	0.153
19	0.004	0.118	0.006	0.178
20	0.001	0.092	0.002	0.138
21	0.005	0.107	0.006	0.161
22	0.001	0.084	0.001	0.125
23	0.004	0.098	0.007	0.147
24	0.001	0.077	0.001	0.115
25	0.005	0.090	0.007	0.135
26	0.001	0.071	0.002	0.107
27	0.005	0.083	0.007	0.125
28	0.001	0.066	0.002	0.099
29	0.006	0.078	0.008	0.116
30	0.001	0.061	0.002	0.092
31	0.005	0.073	0.012	0.109
32	0.001	0.058	0.002	0.086
33	0.010	0.068	0.012	0.102
34	0.001	0.054	0.002	0.081
35	0.004	0.064	0.007	0.096
36	0.001	0.051	0.002	0.077
37	0.004	0.061	0.008	0.091
38	0.001	0.048	0.002	0.073
39	0.006	0.058	0.007	0.087
40	0.001	0.046	0.001	0.069

Note: Dynamic limits were applied for this test. The highest harmonics values in the above table may not occur at the same window as the maximum harmonics/limit ratio.

7.6 Voltage Fluctuations and Flicker Measurement

Mode A

Observation (Tp)	10 min		
Input Power	230 Vac, 50 Hz	Environmental Conditions	24°C, 75% RH
Tested By	Kent Wang		

Test Parameter	Measurement Value	Limit	Remarks
P_{st}	0.301	1.00	Pass
P_{lt}	0.131	0.65	Pass
T_{max} (ms)	0.000	500	Pass
d_{max} (%)	0.000	4.00	Pass
d_c (%)	0.000	3.30	Pass

Notes:

1. P_{st} means short-term flicker indicator.
2. P_{lt} means long-term flicker indicator.
3. T_{max} means accumulated time value of $d(t)$ with a deviation exceeding 3.3 %.
4. d_{max} means maximum relative voltage change.
5. d_c means maximum relative steady-state voltage change.

7.7 Electrostatic Discharges (ESD)

Mode A

For EN 55035

Input Power	AC 230V / 50Hz	Environmental conditions	26 °C, 41 % RH 1000 mbar
Tested by	Sean Chou		

Test Results of Direct Application

Discharge Level (kV)	Polarity (+/-)	Test Point	Contact Discharge	Air Discharge	Performance Criteria
2, 4	+/-	1-4,6-16,24,25	Note	---	A
2, 4, 8	+/-	5,17-23,26,27	---	Note	A

Description of test points of direct application: Please refer to following page for representative mark only.

Test Results of Indirect Application

Discharge Level (kV)	Polarity (+/-)	Test Point	Horizontal Coupling Plane	Vertical Coupling Plane	Performance Criteria
2, 4	+/-	Four Side	Note	Note	A

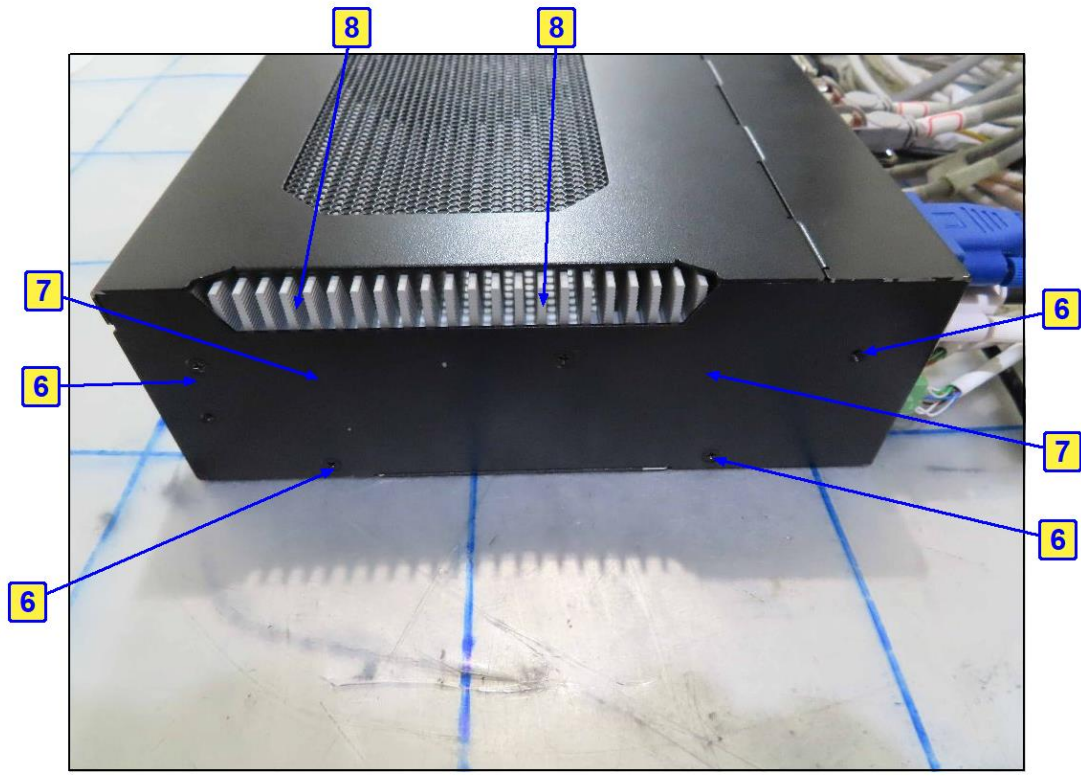
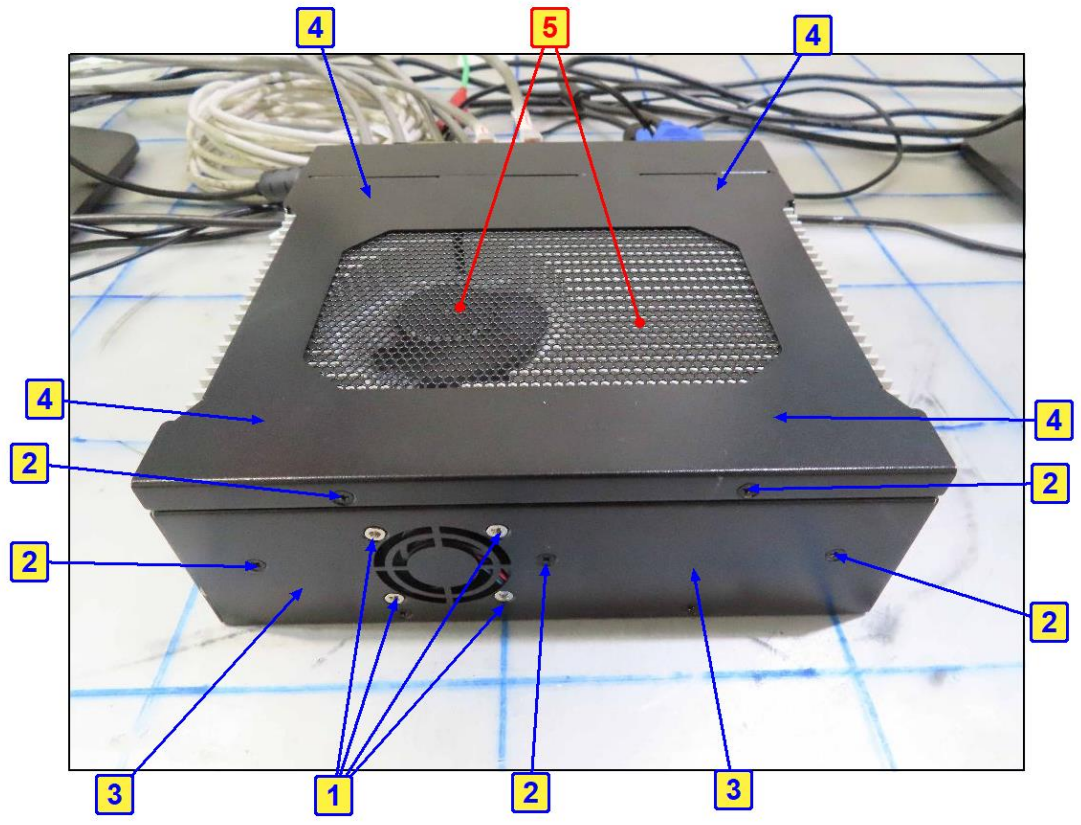
Description of test points of indirect application:

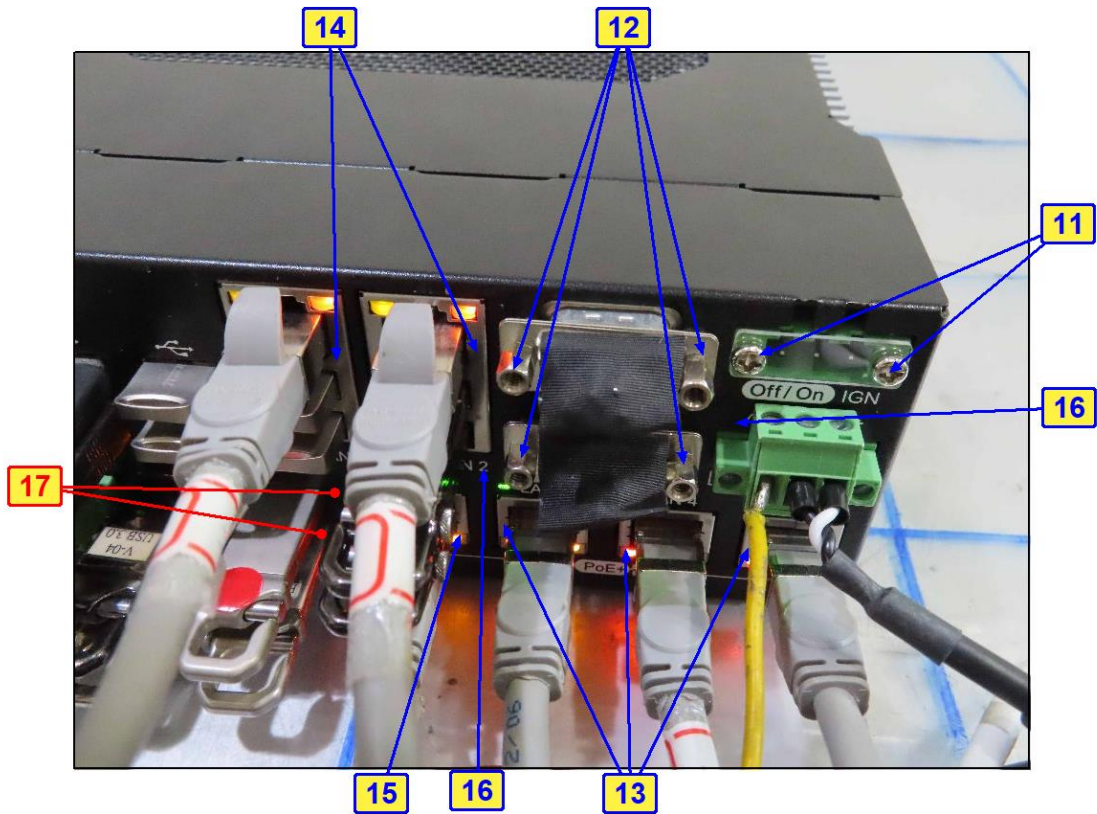
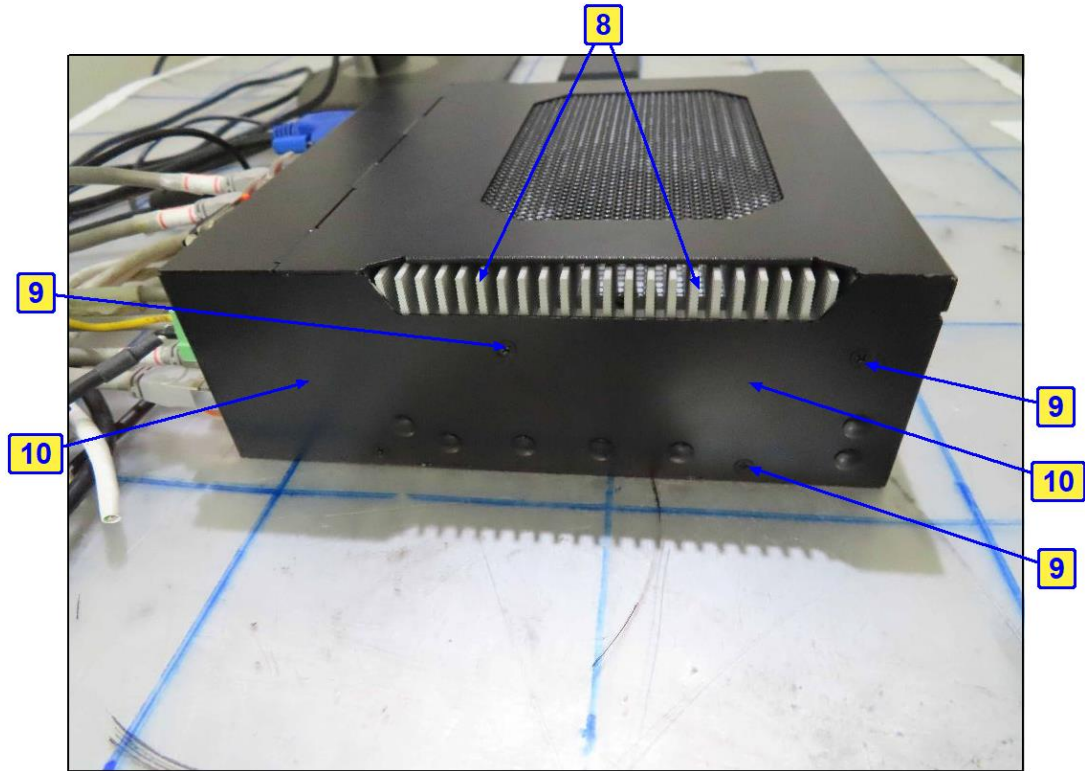
1. Front side
2. Rear side
3. Right side
4. Left side

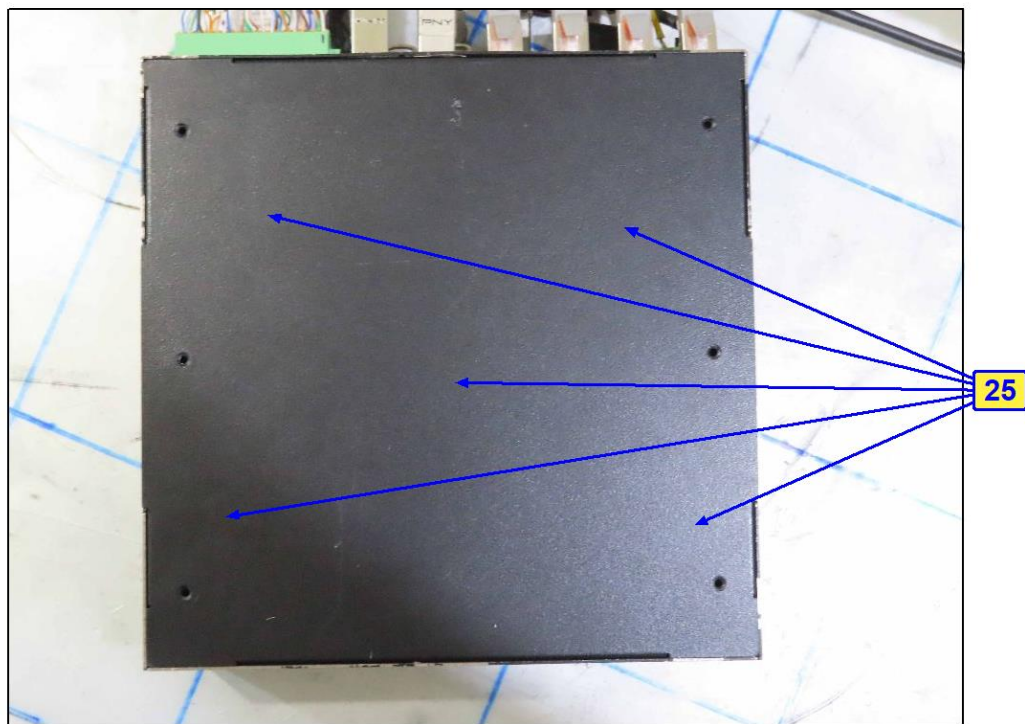
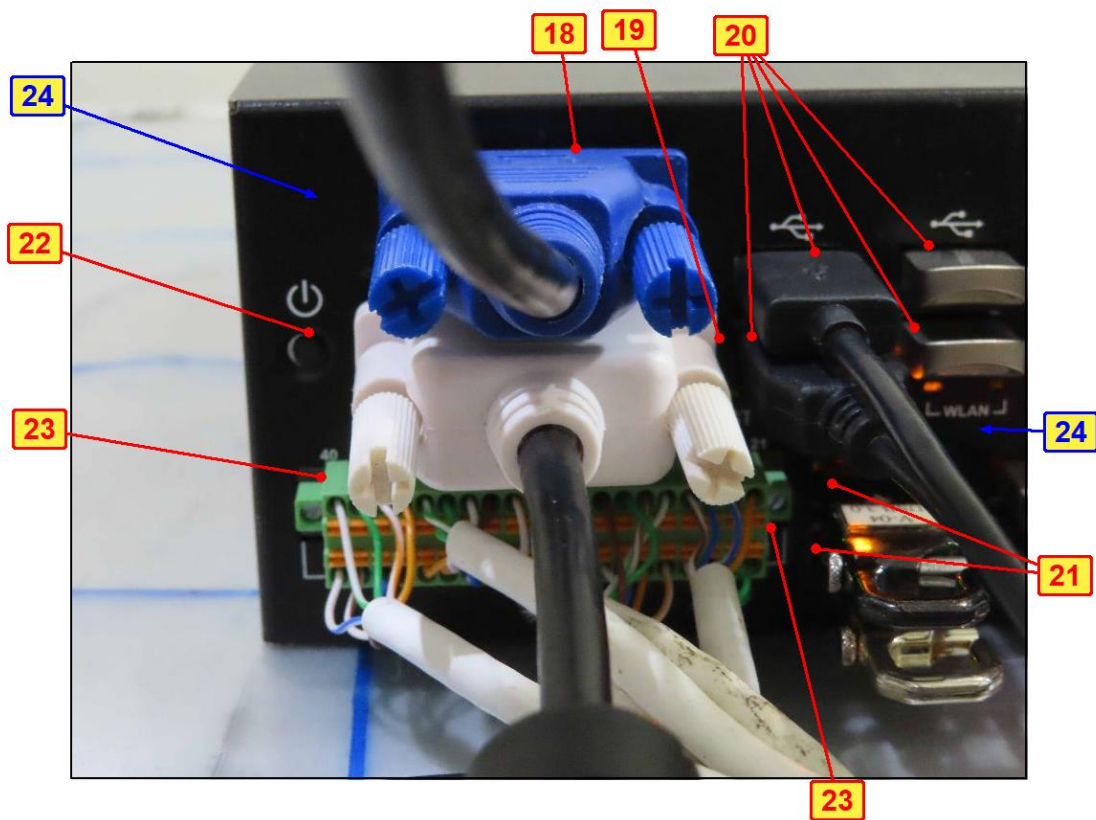
Please refer to the attached page for description of test points.

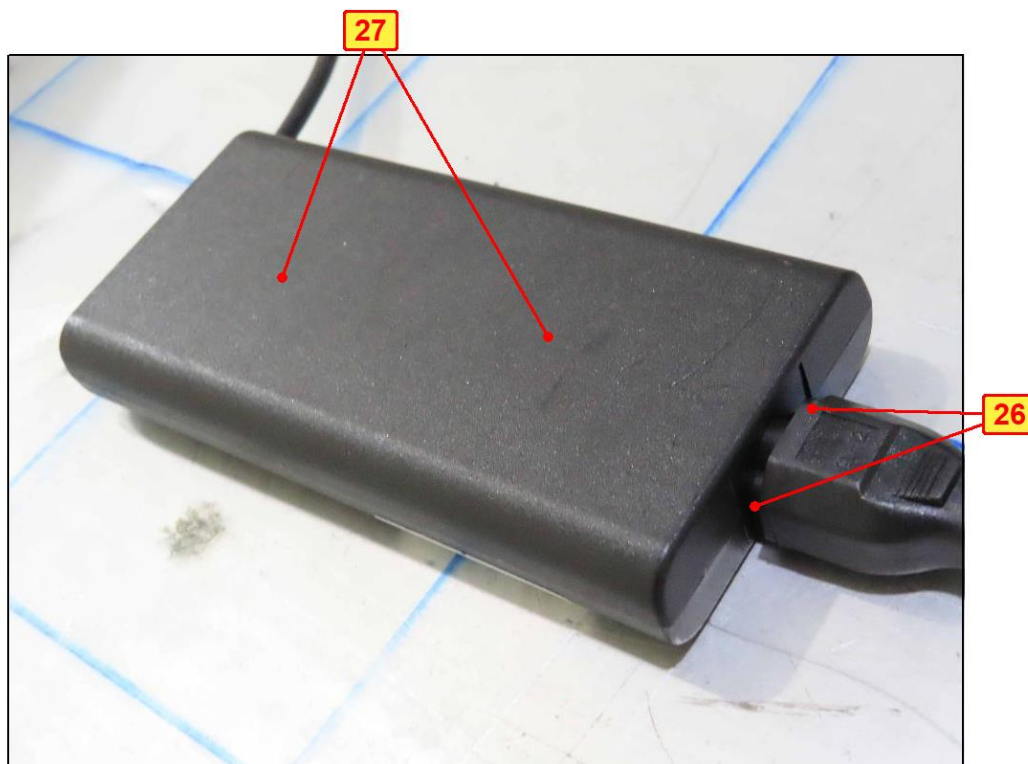
Note: The EUT is operated normal during the test.

Description of test point









7.8 Radio Frequency Electromagnetic Field (RS)

Mode A

For EN 55035

Nominal Input Power	AC 230V / 50Hz	Environmental conditions	26 °C, 75 % RH 996 mbar
Tested by	Kent Wang		

Frequency (MHz)	Polarity	Azimuth(°)	Applied Field Strength		Observation	Performance Criteria
			(V/m)	Modulation		
80 - 1000	V&H	0, 90, 180, 270	3	80% AM (1kHz)	Note	A
1800, 2600, 3500, 5000	V&H	0, 90, 180, 270	3	80% AM (1kHz)	Note	A

Note: The EUT is operated normal during the test.

7.9 Fast Transients Common Mode (EFT)

Mode A

For EN 55035

Input Power	AC 230V / 50Hz	Environmental conditions	25 °C, 72 % RH 996 mbar
Tested by	Eric Liao		

Input AC power port				
Voltage (kV)	Test Point	Polarity (+/-)	Observation	Performance Criteria
1	L	+/-	Note	A
1	N	+/-	Note	A
1	PE	+/-	Note	A
1	L-N-PE	+/-	Note	A

Wired network and signal/ control port				
Voltage (kV)	Test Point	Polarity (+/-)	Observation	Performance Criteria
0.5	LAN 1	+/-	Note	A
0.5	LAN 2	+/-	Note	A
0.5	LAN 3	+/-	Note	A

Note: The EUT is operated normal during the test.

7.10 Surges

Mode A

For EN 55035

Input Power	AC 230V / 50Hz	Environmental conditions	24 °C, 75 % RH 996 mbar
Tested by	Eric Liao		

Input AC power port					
Voltage (kV)	Test Point	Azimuth(°)	Polarity (+/-)	Observation	Performance Criteria
0.5, 1	L-N	90, 270	+/-	Note	A
0.5, 1, 2	L-PE	90, 270	+/-	Note	A
0.5, 1, 2	N-PE	90, 270	+/-	Note	A

Note: The EUT is operated normal during the test.

7.11 Radio Frequency Common Mode (CS)

Mode A

For EN 55035

Input Power	AC 230V / 50Hz	Environmental conditions	25 °C, 71 % RH 996 mbar
Tested by	Eric Liao		

Input AC power port							
Frequency (MHz)	Level (V rms)	Modulation	Tested Line	Injection Method	Return Path	Observation	Performance Criteria
0.15 – 80	3	80% AM (1kHz)	AC power	CDN-M3	CDN-M1	Note	A
10 – 30	3~1	80% AM (1kHz)	AC power	CDN-M3	CDN-M1	Note	A
30 – 80	1	80% AM (1kHz)	AC power	CDN-M3	CDN-M1	Note	A

Wired network and signal/ control port							
Frequency (MHz)	Level (V rms)	Modulation	Tested Line	Injection Method	Return Path	Observation	Performance Criteria
0.15 – 80	3	80% AM (1kHz)	LAN 1	CDN-ST08A	CDN-M1	Note	A
10 – 30	3~1	80% AM (1kHz)	LAN 1	CDN-ST08A	CDN-M1	Note	A
30 – 80	1	80% AM (1kHz)	LAN 1	CDN-ST08A	CDN-M1	Note	A
0.15 – 80	3	80% AM (1kHz)	LAN 2	CDN-ST08A	CDN-M1	Note	A
10 – 30	3~1	80% AM (1kHz)	LAN 2	CDN-ST08A	CDN-M1	Note	A
30 – 80	1	80% AM (1kHz)	LAN 2	CDN-ST08A	CDN-M1	Note	A
0.15 – 80	3	80% AM (1kHz)	LAN 3	CDN-ST08A	CDN-M1	Note	A
10 – 30	3~1	80% AM (1kHz)	LAN 3	CDN-ST08A	CDN-M1	Note	A
30 – 80	1	80% AM (1kHz)	LAN 3	CDN-ST08A	CDN-M1	Note	A

Note: The EUT is operated normal during the test.

7.12 Power Frequency Magnetic Field (PFMF)

Mode A

For EN 55035

Nominal Input Power	AC 230V / 50Hz	Environmental conditions	24 °C, 75 % RH 996 mbar
Tested by	Kent Wang		

Application	Frequency (Hz)	Field Strength (A/m)	Observation	Performance Criteria
X - Axis	50	1	Note	A
Y - Axis	50	1	Note	A
Z - Axis	50	1	Note	A

Note: The EUT is operated normal during the test.

7.13 Voltage Dips and Interruptions (DIP)

Mode A

For EN 55035

Nominal Input Power	AC 230V / 50Hz	Environmental conditions	24 °C, 75 % RH 996 mbar
Tested by	Kent Wang		

Input Power for testing: 230Vac, 50 Hz (Nominal input Voltage)					
Voltage Residual(%)	Duration (cycle)	Interval (sec)	Times	Observation	Performance Criteria
<5	0.5	10	3	Note 1	A
70	25	10	3	Note 1	A
<5	250	10	3	Note 2	C

Input Power for testing: 240Vac, 50 Hz (Maximum rated input voltage)					
Voltage Residual(%)	Duration (cycle)	Interval (sec)	Times	Observation	Performance Criteria
<5	0.5	10	3	Note 1	A
70	25	10	3	Note 1	A
<5	250	10	3	Note 2	C

Input Power for testing: 100Vac, 50 Hz (Minimum rated input voltage)					
Voltage Residual(%)	Duration (cycle)	Interval (sec)	Times	Observation	Performance Criteria
<5	0.5	10	3	Note 1	A
70	25	10	3	Note 1	A
<5	250	10	3	Note 2	C

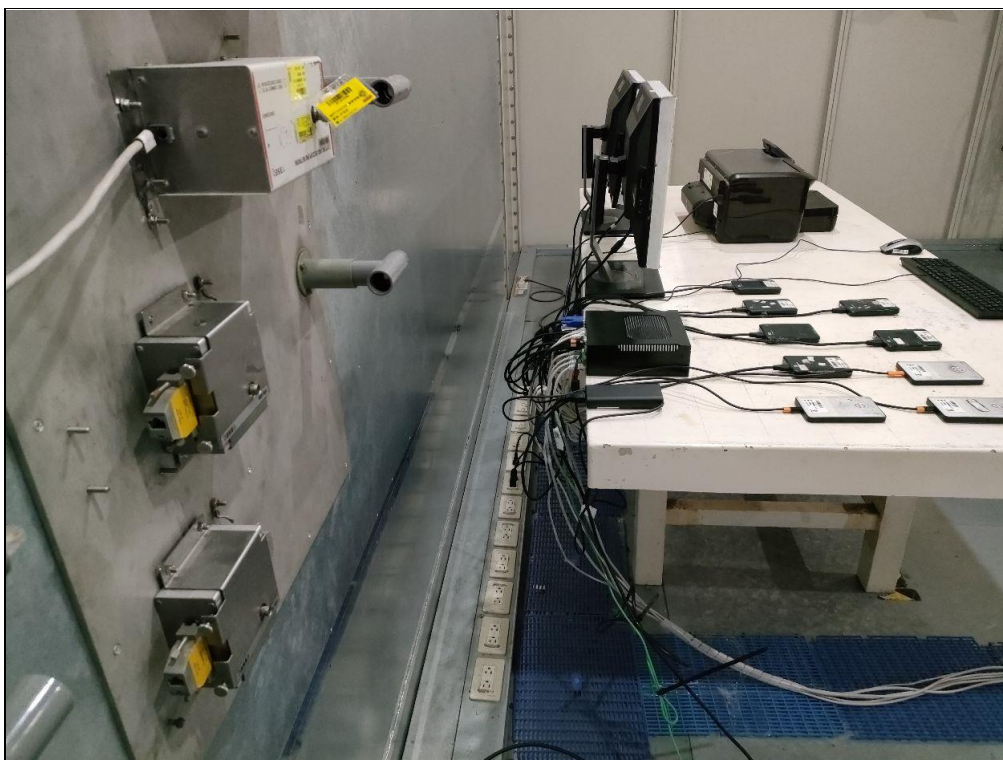
Notes:

1. The EUT is operated normal during the test.
2. The EUT shut down during the test, and must be recovered manually after the test.

8 Pictures of Test Arrangements

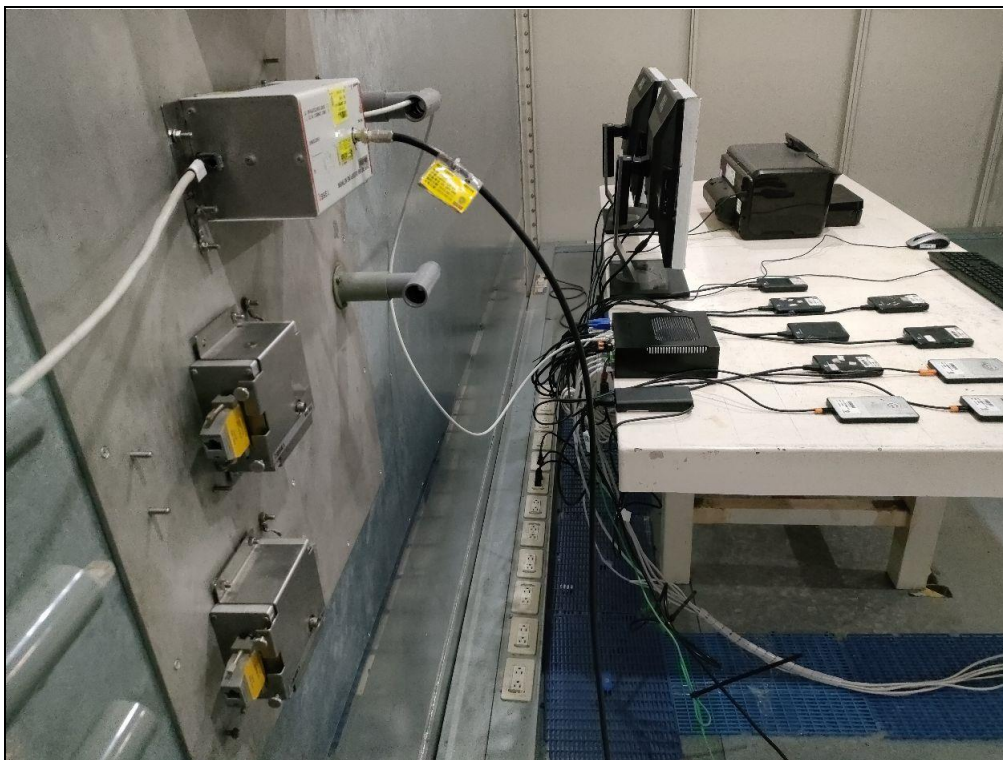
8.1 Conducted Emissions from Power Ports

Mode A and B



8.2 Conducted Emissions from Wired Network Ports

Mode A



Mode B



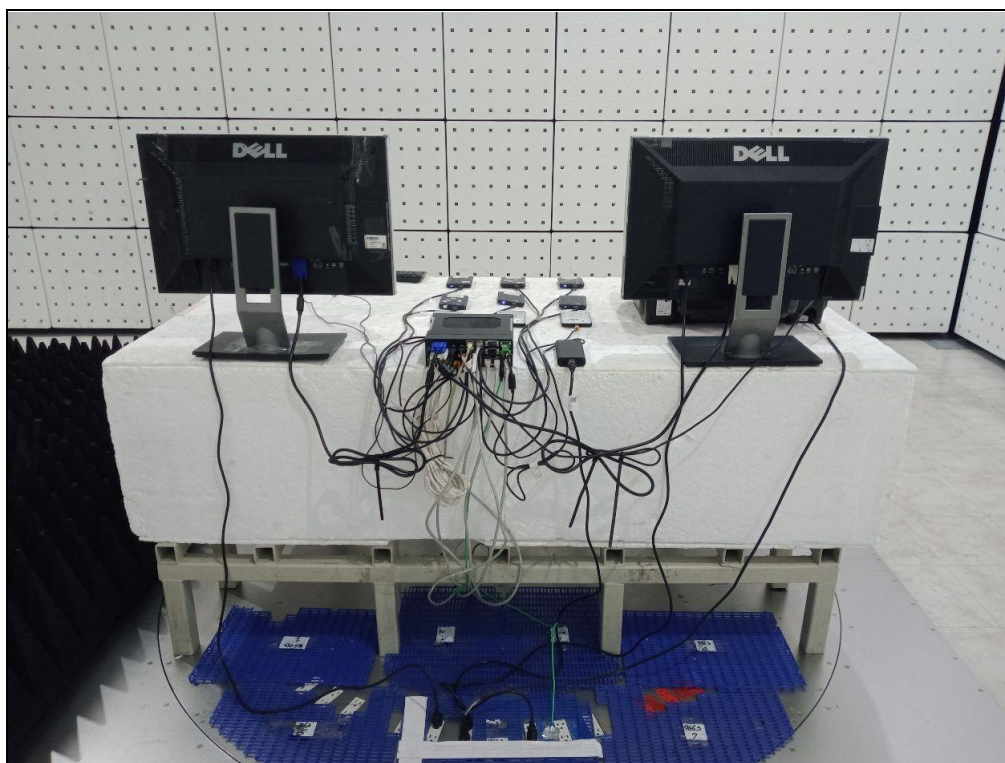
8.3 Radiated Emissions up to 1 GHz

Mode A



8.4 Radiated Emissions above 1 GHz

Mode A



8.5 Harmonic Current Measurement

Mode A



8.6 Voltage Fluctuations and Flicker Measurement

Mode A



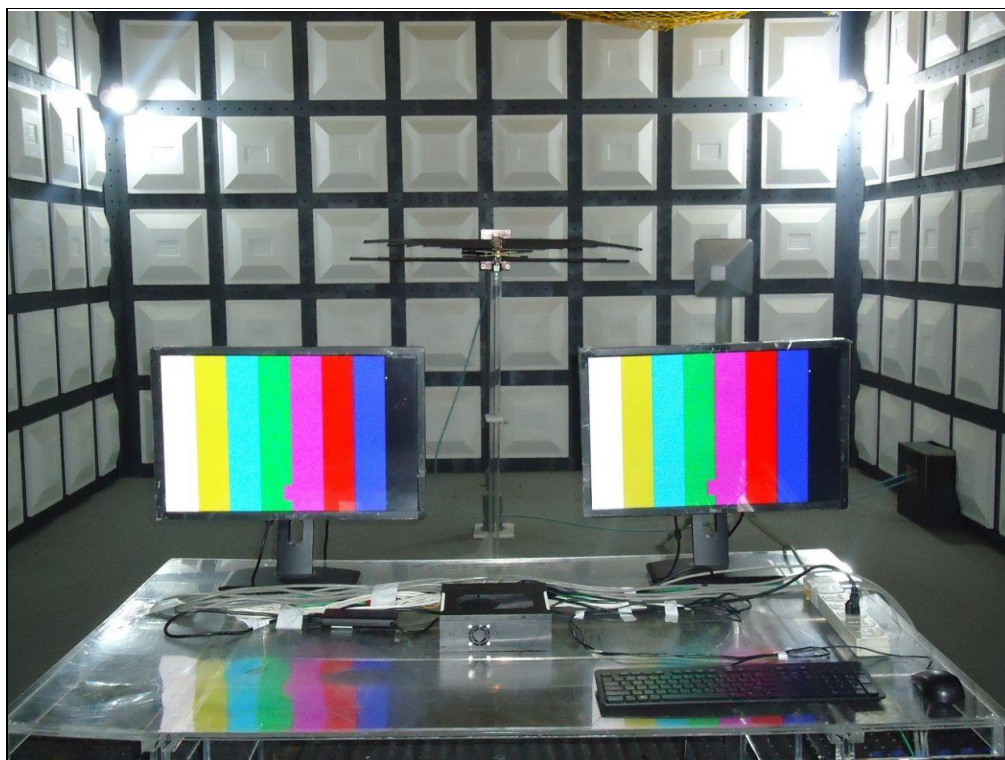
8.7 Electrostatic Discharges (ESD)

Mode A



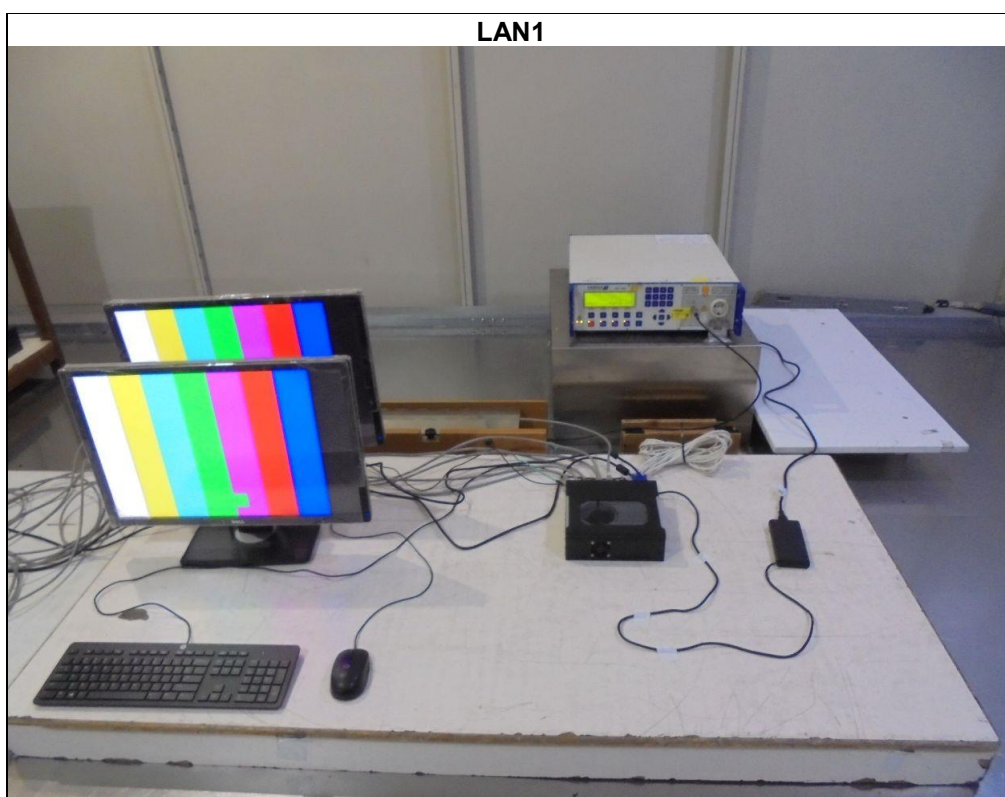
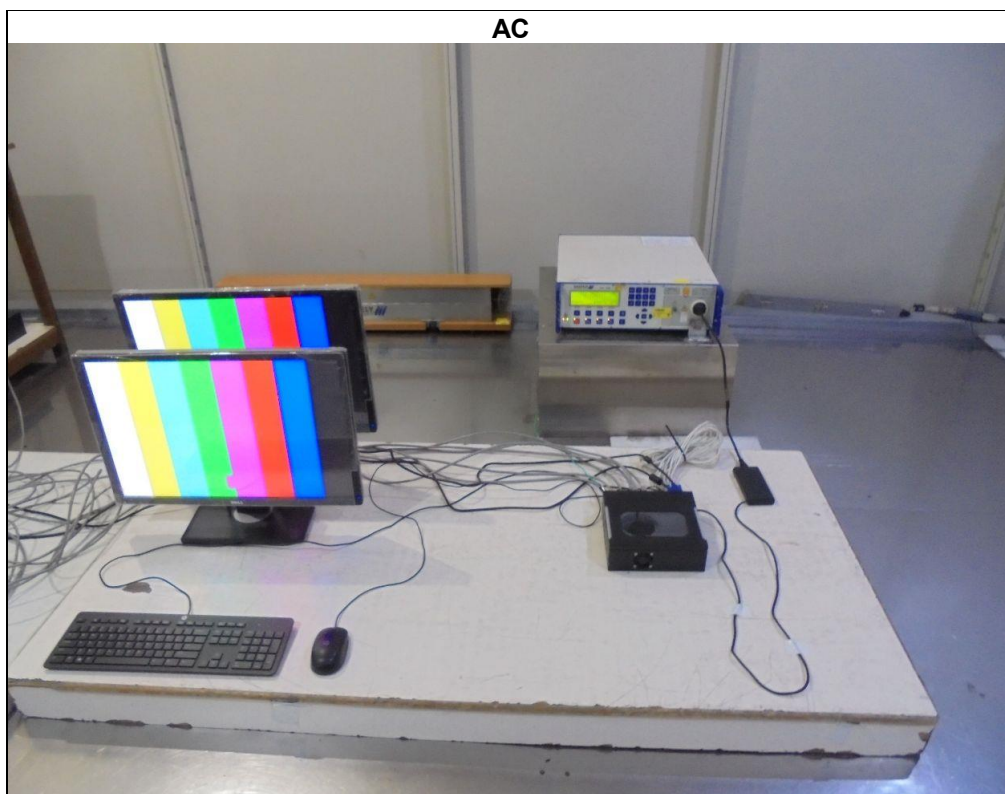
8.8 Radio Frequency Electromagnetic Field (RS)

Mode A

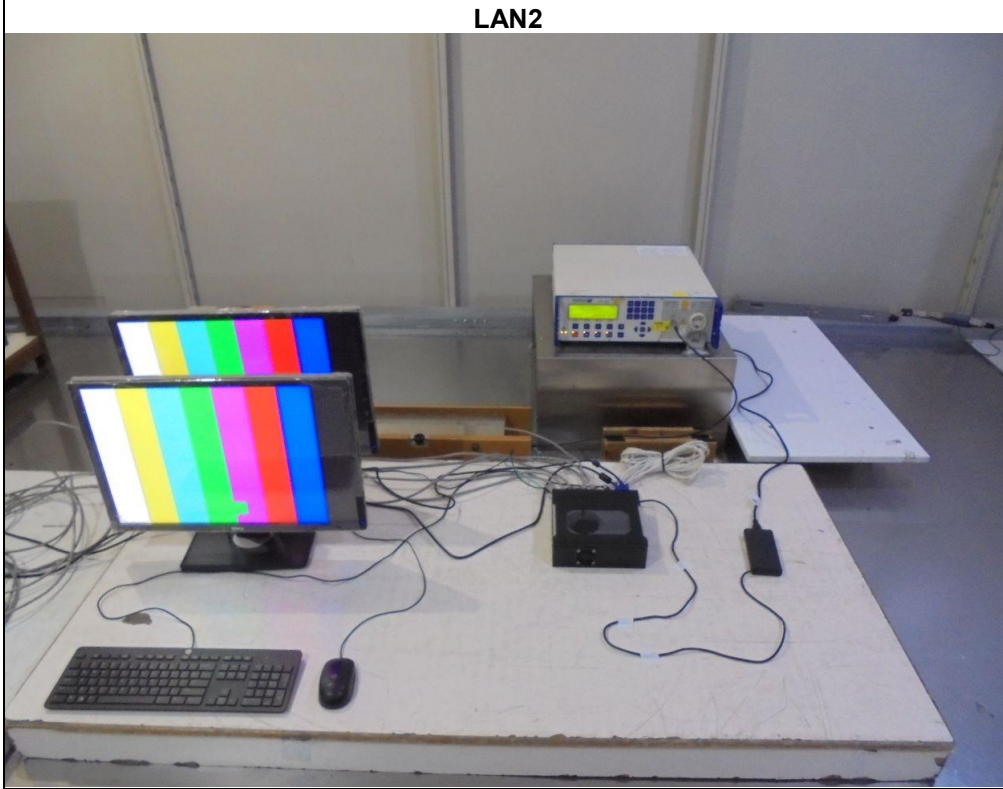


8.9 Fast Transients Common Mode (EFT)

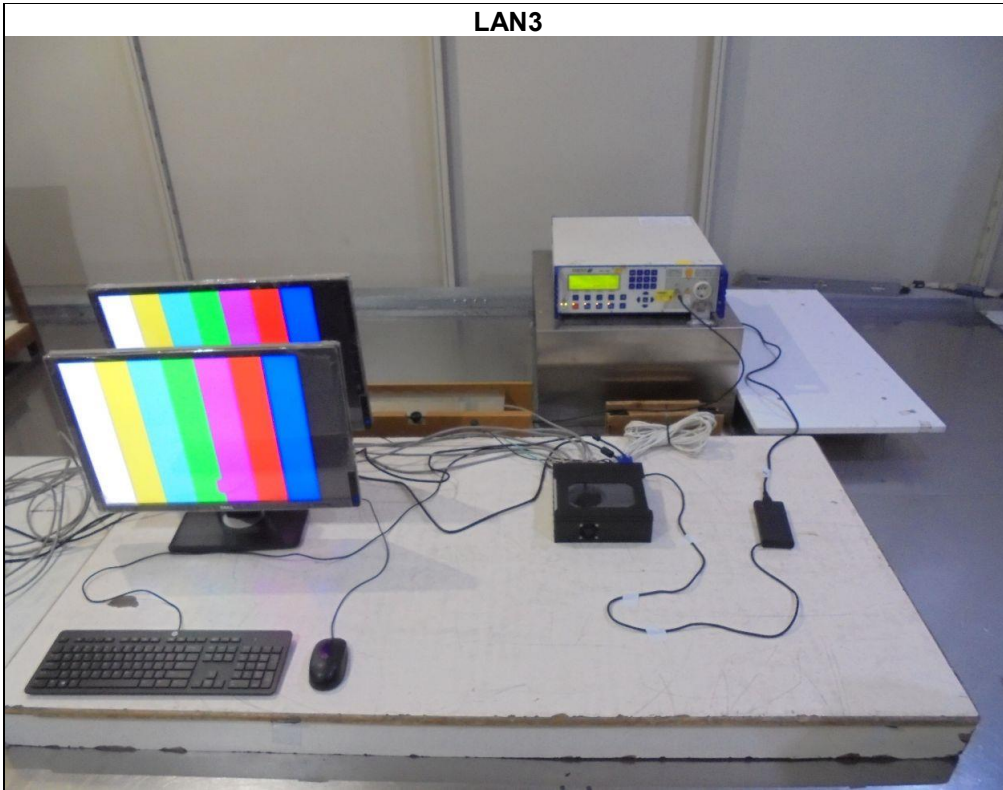
Mode A



LAN2



LAN3



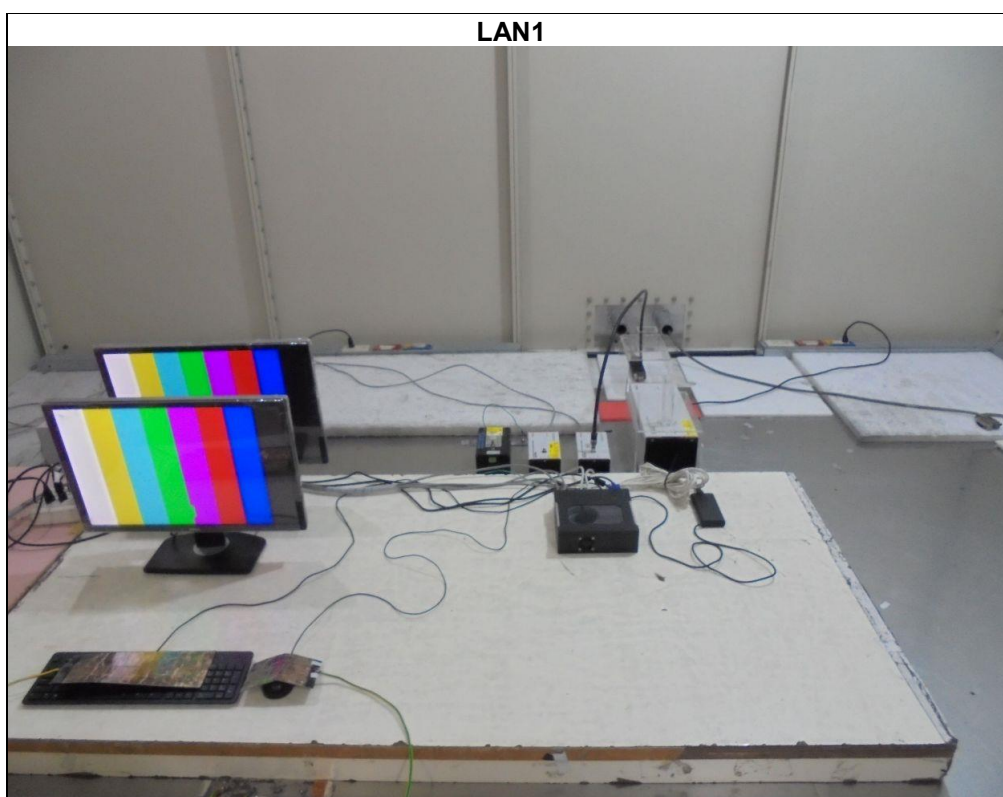
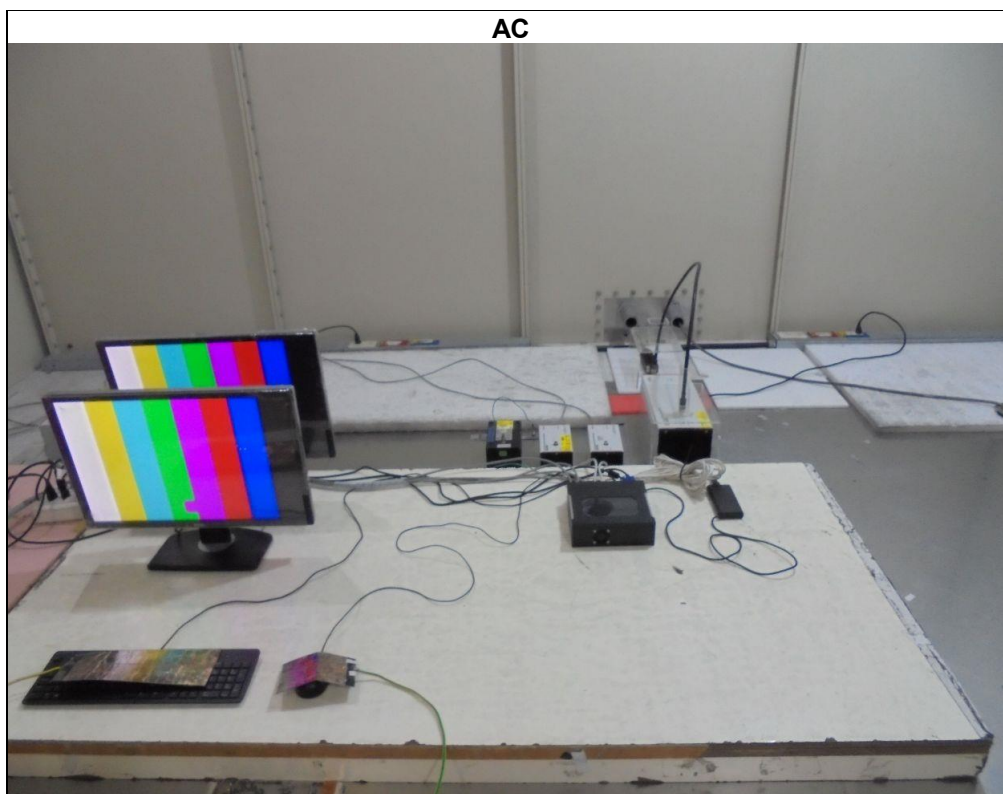
8.10 Surges

Mode A

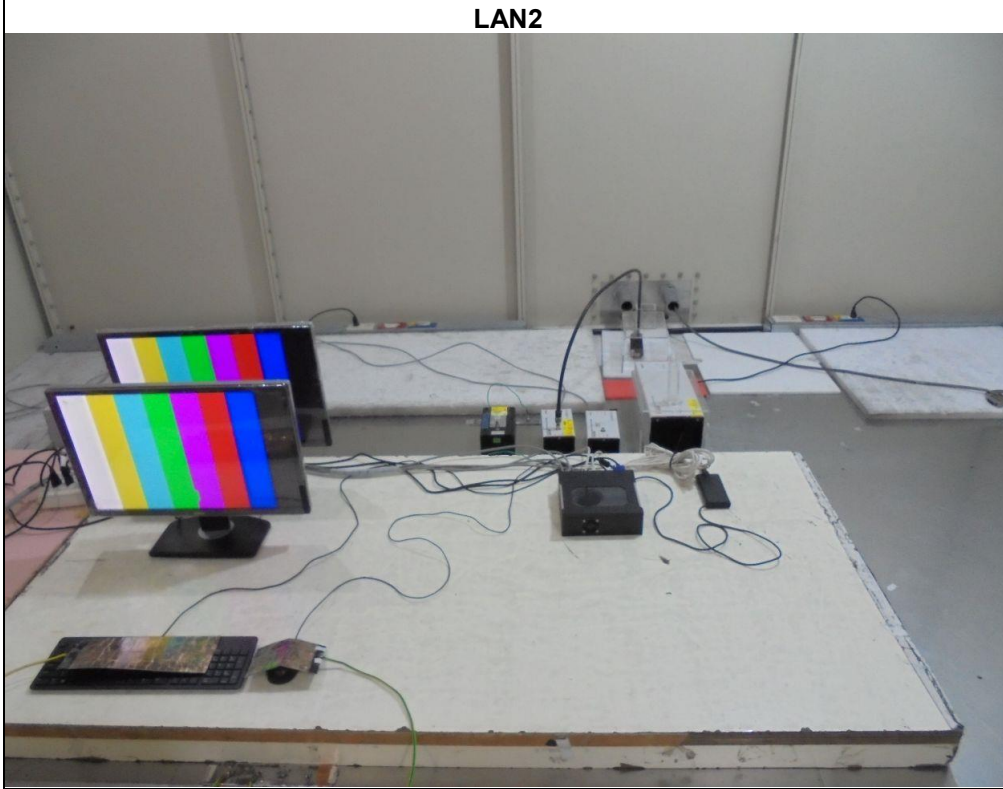


8.11 Radio Frequency Common Mode (CS)

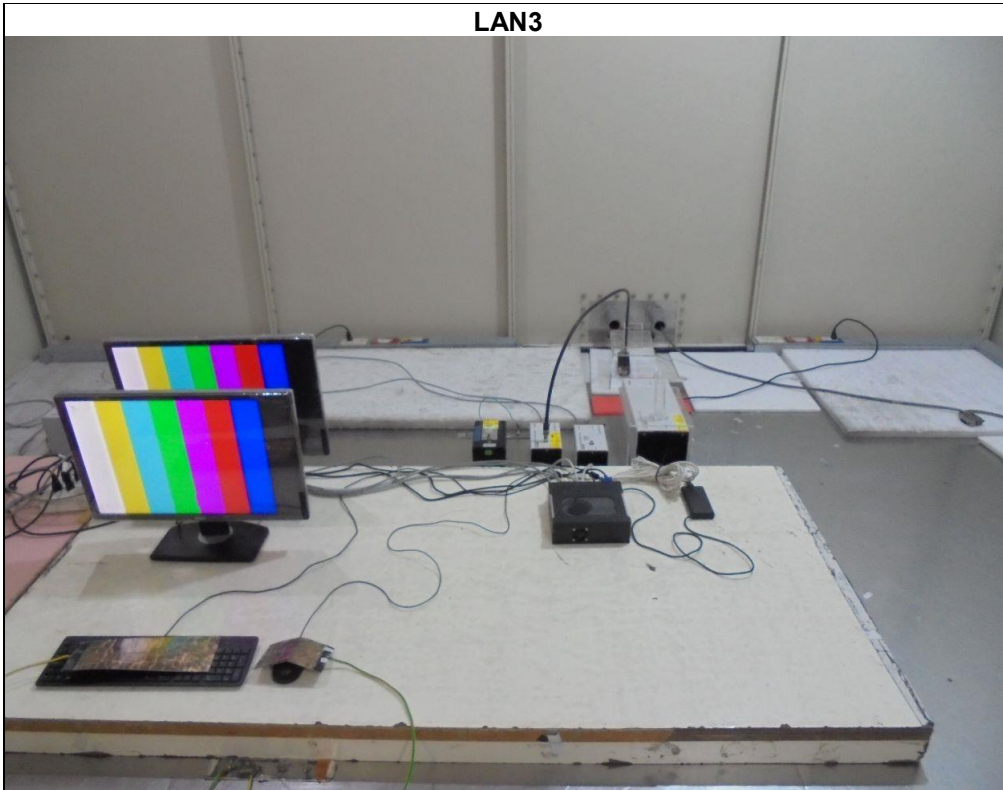
Mode A



LAN2

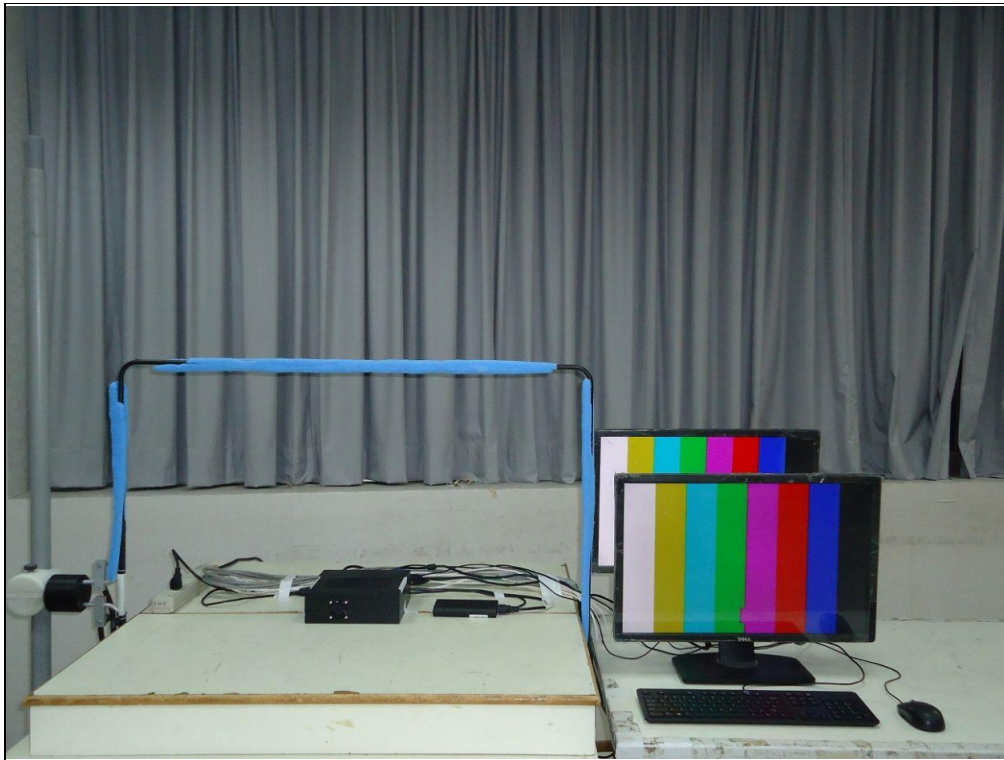


LAN3



8.12 Power Frequency Magnetic Field (PFMF)

Mode A



8.13 Voltage Dips and Interruptions (DIP)

Mode A



9 Information of the Testing Laboratories

We, Bureau Veritas Consumer Products Services (H.K.) Ltd., Taoyuan Branch, were founded in 1988 to provide our best service in EMC, Radio, Telecom and Safety consultation. Our laboratories are FCC recognized accredited test firms and accredited according to ISO/IEC 17025.

If you have any comments, please feel free to contact us at the following:

Lin Kou EMC/RF Lab

Tel: 886-2-26052180

Fax: 886-2-26051924

Hsin Chu EMC/RF/Telecom Lab

Tel: 886-3-6668565

Fax: 886-3-6668323

Hwa Ya EMC/RF/Safety Lab

Tel: 886-3-3183232

Fax: 886-3-3270892

Email: service.adt@bureauveritas.com

Web Site: <http://ee.bureauveritas.com.tw>

The address and road map of all our labs can be found in our web site also.

--- END ---